



2018 Buyer's Guide



Welcome to the Finch Buyer's Guide! All our products are included with dimensions, weights, and shipping prices. Since you work hard every day, we hope this will make your Finch experience easy and fun!

NOTE: Shipping prices are configured for shipping just one item. When shipping more than six items, it may be better to ship the items on a pallet via FedEx Freight. We will attempt to always ship your items in the most practical and cost-effective way.





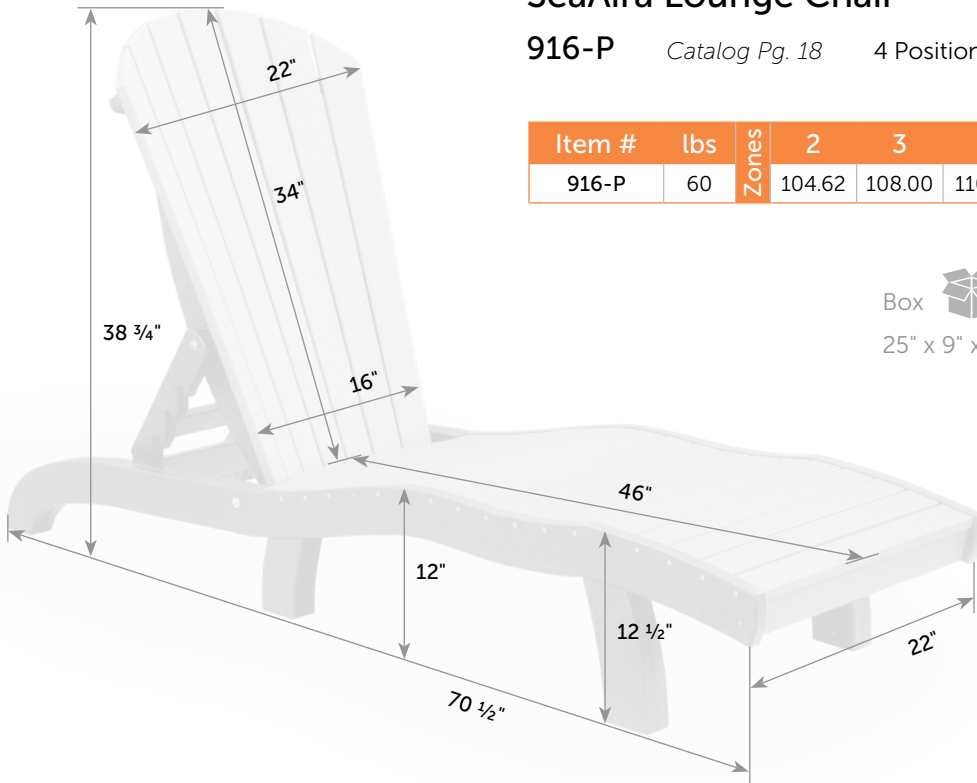
Table of Contents

SeaAira.....	4
SunSurf Lounge.....	11
SummerSide Bar.....	12
Firepits.....	13
Mission Deep Seating.....	14
Van Buren.....	18
Avonlea.....	26
Porch Rockers.....	29
Great Bay.....	31
Keystone.....	46
Mission Dining.....	52
Garden.....	57
Picnic Tables.....	63
Children's.....	66
Wood Table Sets.....	68
Park Benches.....	73
Umbrellas.....	74
Warranty & Care.....	76
Shipping Zones & Times.....	78

Feel the Difference

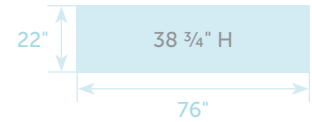
SeaAira Lounge Chair

916-P *Catalog Pg. 18* 4 Position Back



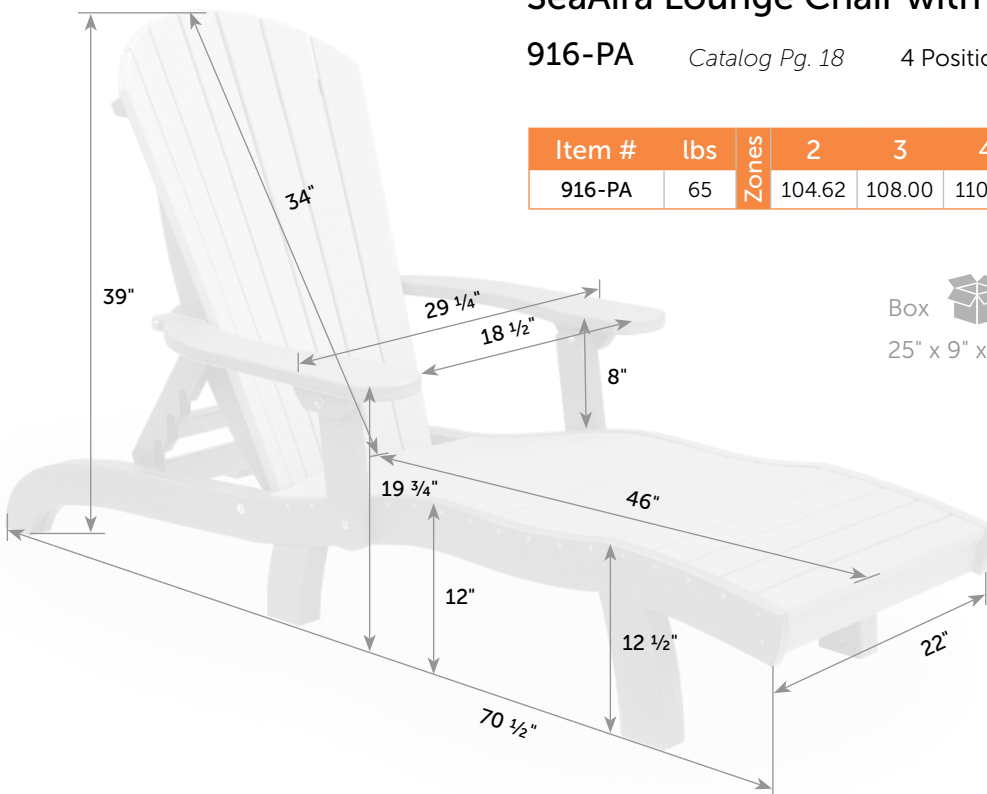
Item #	lbs	Zones	2	3	4	5	6	7	8
916-P	60		104.62	108.00	110.46	116.50	123.17	130.34	133.08

Box 25" x 9" x 71"



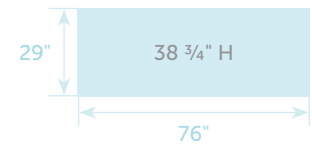
SeaAira Lounge Chair with Arms

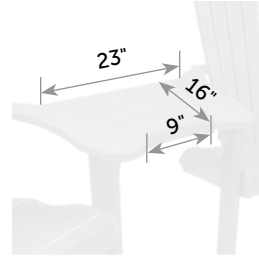
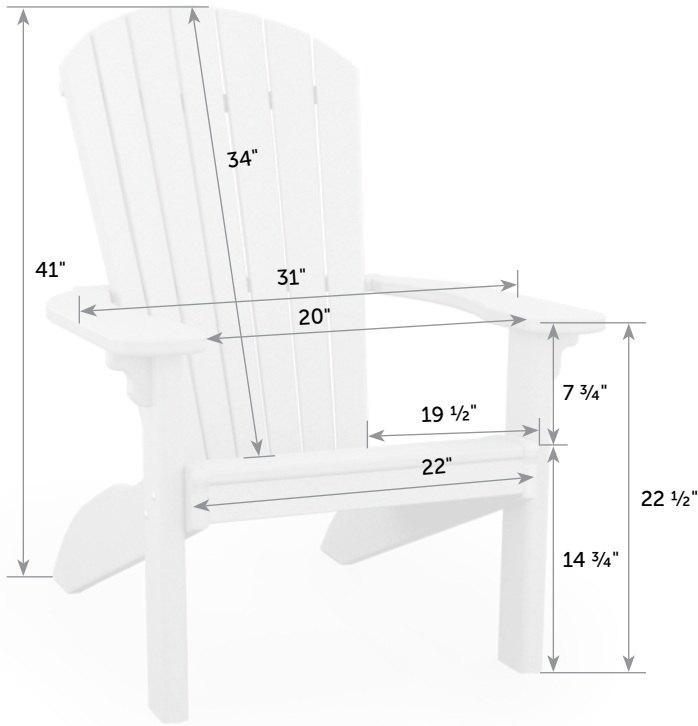
916-PA *Catalog Pg. 18* 4 Position Back



Item #	lbs	Zones	2	3	4	5	6	7	8
916-PA	65		104.62	108.00	110.46	116.50	123.17	130.34	133.08

Box 25" x 9" x 71"





SeaAira Table Attachment 911-PATTACH

Catalog Pg. 19

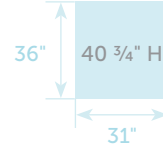
Table attaches easily with 4 thumb-screws.

Box 23" x 6" x 23"

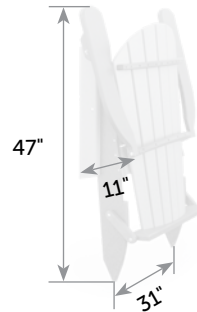
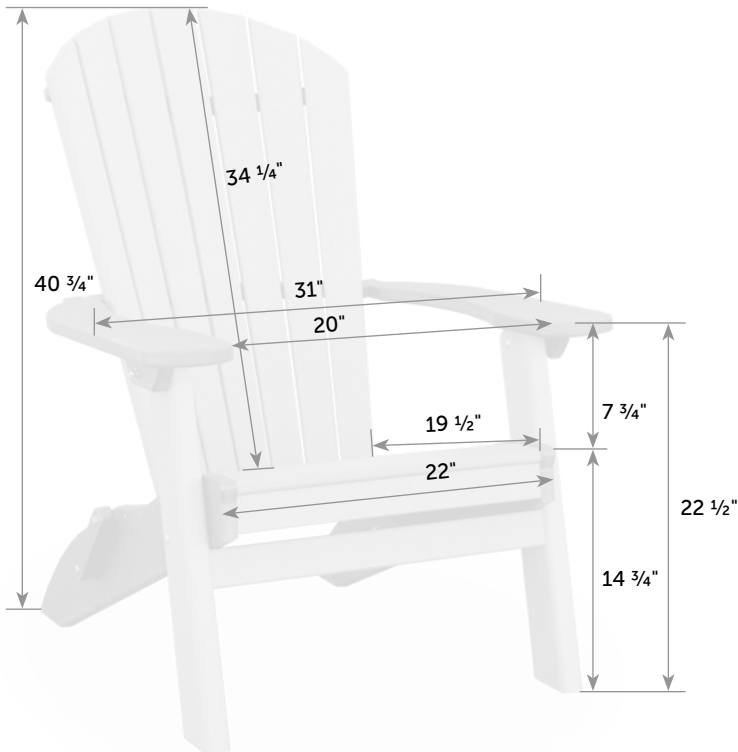
SeaAira Adirondack Chair 911-P

Catalog Pg. 19

Box 25" x 7" x 46"



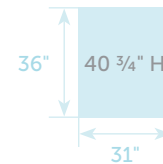
Item #	lbs	Zones	2	3	4	5	6	7	8
911-P	40		30.28	35.10	38.29	43.98	50.12	55.54	63.46
911-PATTACH	5		16.50	17.11	18.17	18.65	18.92	19.45	20.27



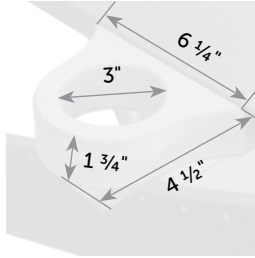
SeaAira Adirondack Folding Chair 910-P

Catalog Pg. 19

Box 25" x 11" x 43"



Item #	lbs	Zones	2	3	4	5	6	7	8
910-P	43		30.28	35.10	38.29	43.98	50.12	55.54	63.46

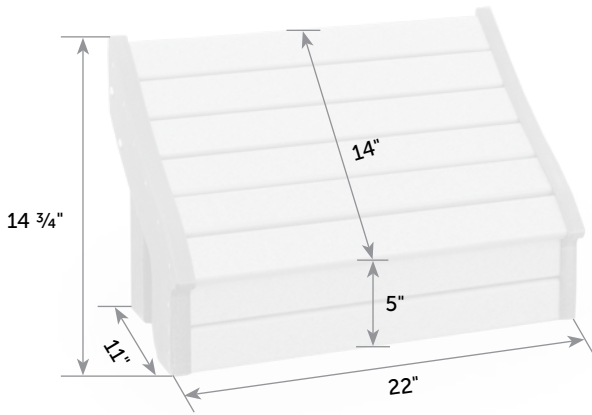


Cup Holder
906-P

Catalog Pg. 19

Box 6" x 6" x 6"

Item #	lbs	Zones	2	3	4	5	6	7	8
906-P	2		12.01	12.47	13.07	13.24	13.66	13.77	14.09

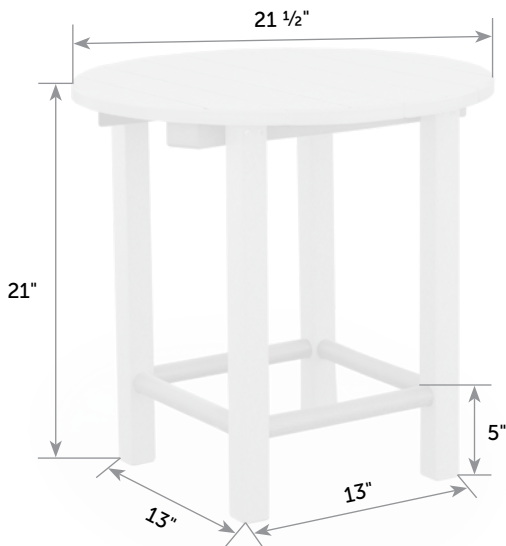


SeaAira Ottoman

909-P Catalog Pg. 19

Box 23" x 6" x 23"

Item #	lbs	Zones	2	3	4	5	6	7	8
909-P	10		17.56	17.81	18.62	19.25	20.06	21.77	23.00

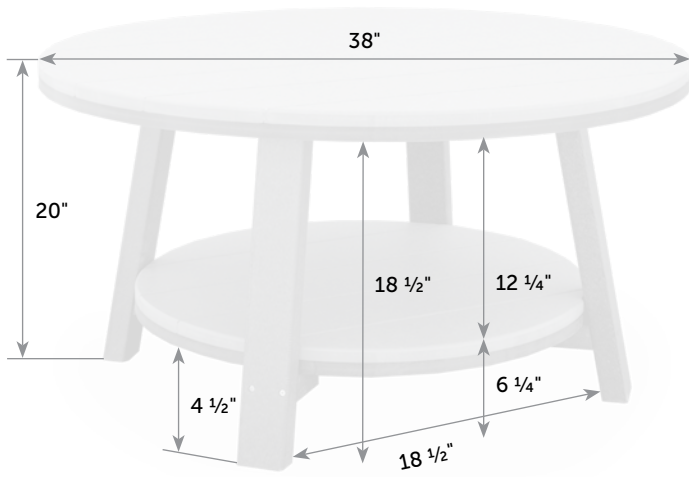


21 1/2" SeaAira Side Table

908-P Catalog Pg. 19, 23

Box 23" x 6" x 23"

Item #	lbs	Zones	2	3	4	5	6	7	8
908-P	12		17.97	18.30	18.83	19.67	20.92	23.35	24.88



SeaAira 38" Conversation Table

912-P *Catalog Pg. 19, 23*

Box 
38" x 6" x 38"

Item #	lbs	Zones	2	3	4	5	6	7	8
912-P	60		34.80	38.58	41.93	47.99	53.57	59.81	67.34

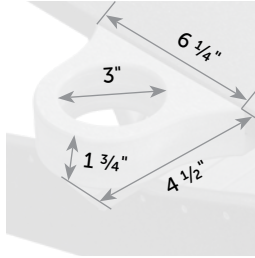


Seat Cushion for SeaAira Adirondack Chair

963 *Catalog Pg. 19*

Box 
23" x 6" x 23"

Item #	lbs	Zones	2	3	4	5	6	7	8
963	1		15.47	16.07	17.27	17.67	17.99	18.42	19.31



Cup Holder 906-P

Catalog Pg. 23

Box 6" x 6" x 6"

Item #	lbs	Zones	2	3	4	5	6	7	8
906-P	2		12.01	12.47	13.07	13.24	13.66	13.77	14.09

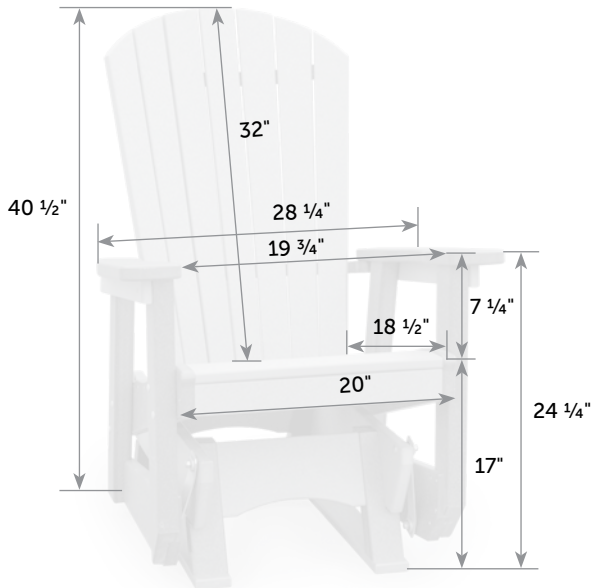


Neck Pillows 962

Catalog Pg. 19

Box 6" x 6" x 14"

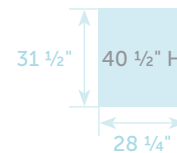
Item #	lbs	Zones	2	3	4	5	6	7	8
962	1		15.01	15.47	16.07	16.24	16.66	16.77	18.09



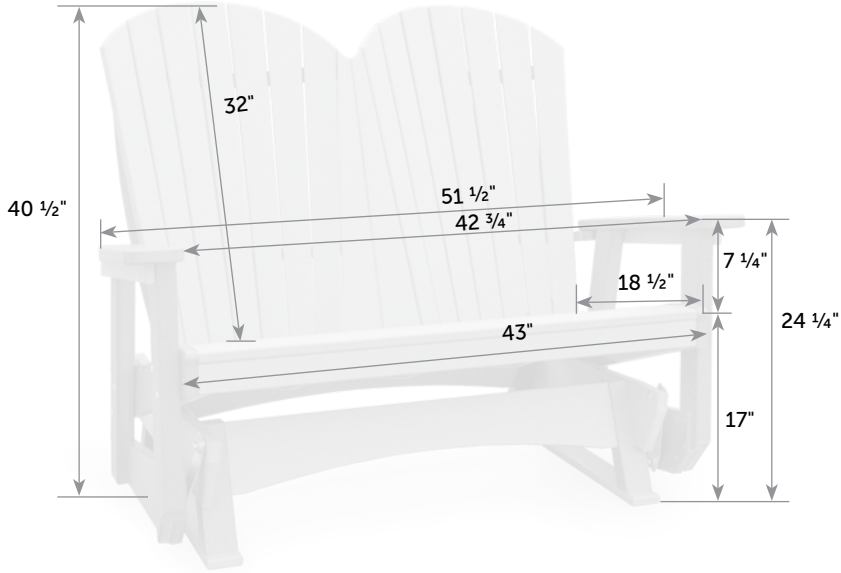
SeaAira Adirondack Glider 913-P

Catalog Pg. 23

Box 25" x 9" x 42"
and
25" x 11" x 23"




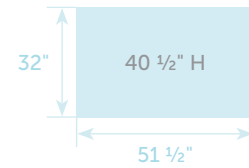
Item #	lbs	Zones	2	3	4	5	6	7	8
913-P	60		52.36	58.62	63.54	72.73	83.45	93.55	106.69



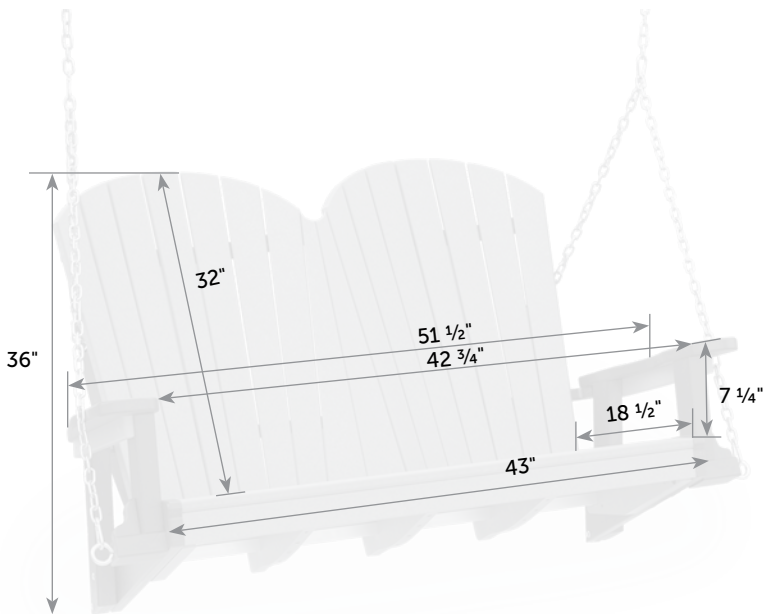
SeaAira Adirondack Double Glider

914-P *Catalog Pg. 23*

Box 
 42" x 6" x 42"
 and
 25" x 11" x 43"
 and
 22" x 6" x 45"



Item #	lbs	Zones	2	3	4	5	6	7	8
914-P	100		139.79	146.30	152.18	161.98	175.28	188.29	198.71

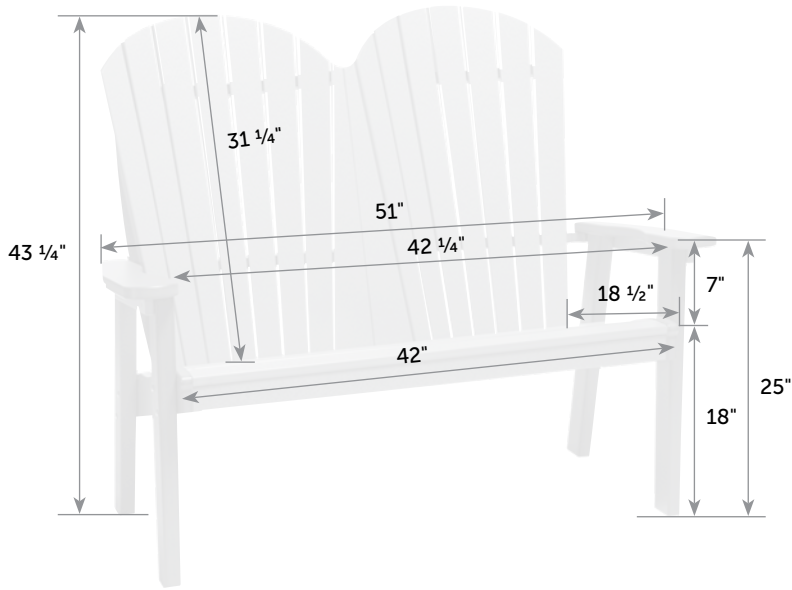


SeaAira Adirondack Swing

915-P *Catalog Pg. 23*

Freight 

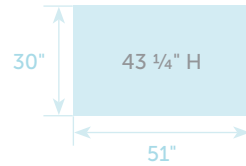
Item #	lbs	Zones	2	3	4	5	6	7	8
915-P	70		209.00	209.00	209.00	224.00	252.00	252.00	302.00



SeaAira Adirondack Bench

918-P *Catalog Pg. 23*

Box 
42" x 6" x 42"

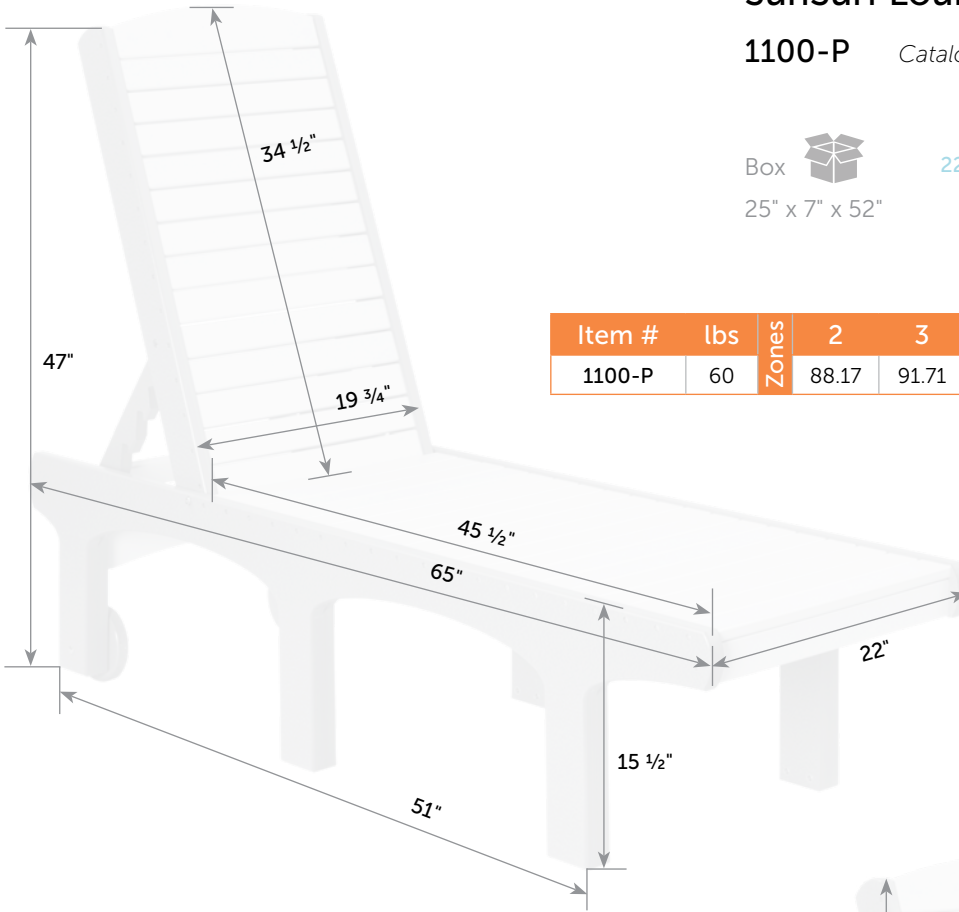
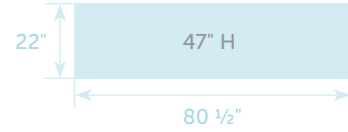


Item #	lbs	Zones	2	3	4	5	6	7	8
918-P	71		99.43	106.37	110.25	120.18	131.05	141.25	154.51

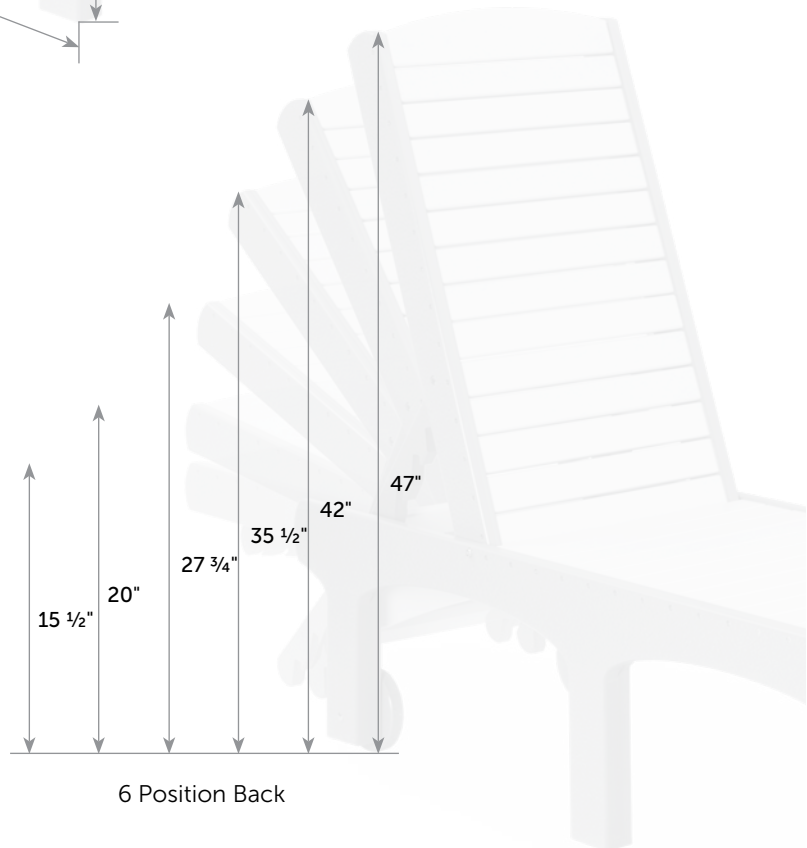
SunSurf Lounge

1100-P *Catalog Pg. 25*

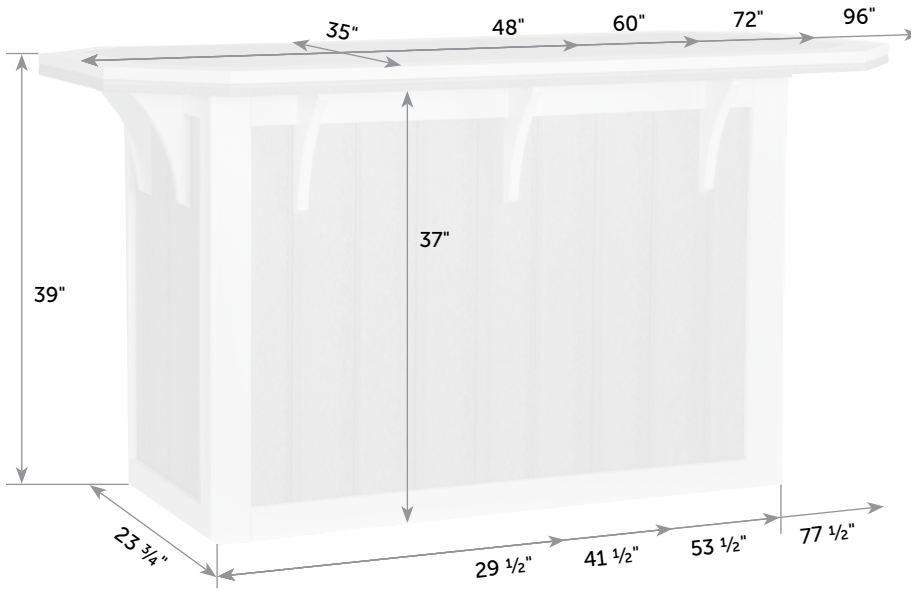
Box 
25" x 7" x 52"



Item #	lbs	Zones	2	3	4	5	6	7	8
1100-P	60		88.17	91.71	94.86	99.40	106.17	112.45	117.15



SummerSide Bar



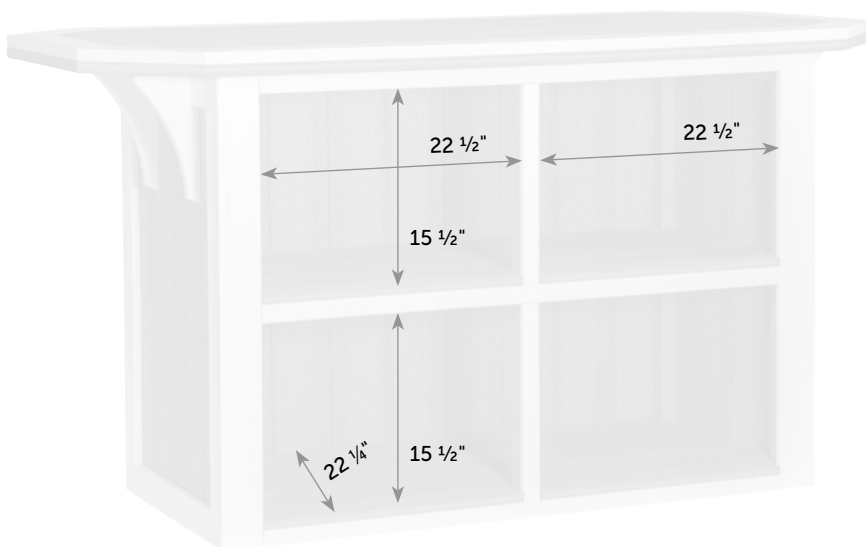
Removable top for easy handling.

Bar

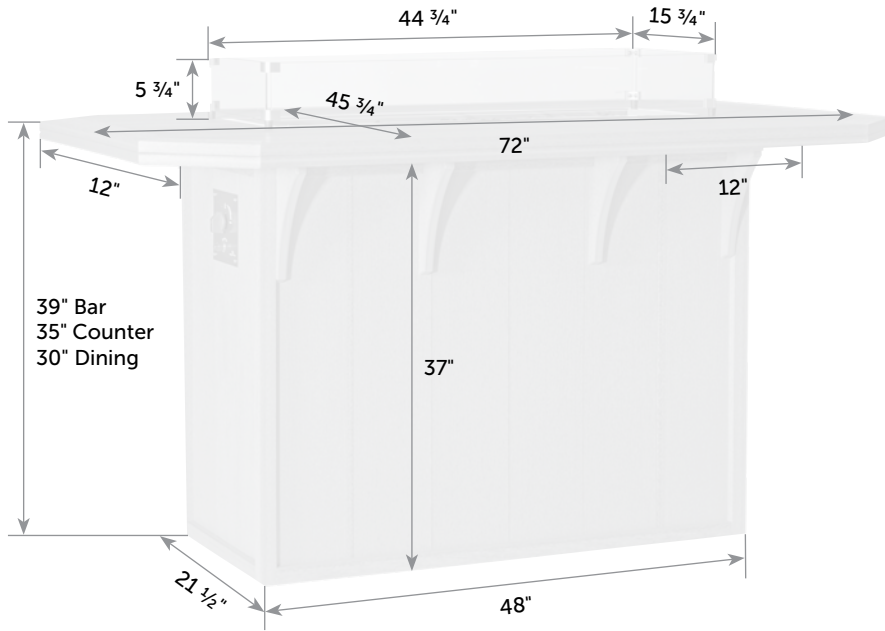
Catalog Pg. 47

Freight

Item #	W x L	Lb.	Zones	2	3	4	5	6	7	8
1200-P	3' x 4'	205		209.00	209.00	209.00	224.00	252.00	252.00	302.00
1201-P	3' x 5'	235		209.00	240.00	240.00	246.00	297.00	297.00	359.00
1202-P	3' x 6'	275		219.00	257.00	257.00	282.00	320.00	320.00	388.00
1203-P	3' x 8'	410		258.00	308.00	308.00	339.00	388.00	388.00	472.00



Width of shelf opening will change with size. 3' x 6' is shown.



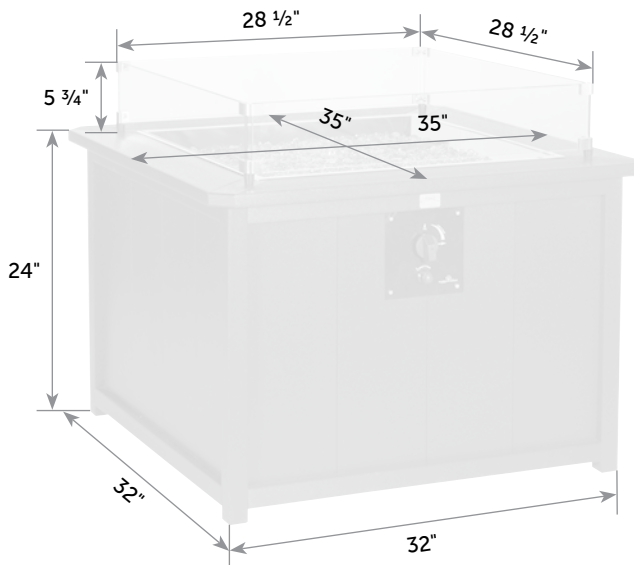
Removable top for easy handling.

SummerSide Fire Table

Catalog Pg. 49

Freight

Item #	Lb.	Zones	2	3	4	5	6	7	8
1300-PD	280		219.00	257.00	257.00	282.00	320.00	320.00	388.00
1300-PC	290		219.00	257.00	257.00	282.00	320.00	320.00	388.00
1300-PB	300		219.00	257.00	257.00	282.00	320.00	320.00	388.00

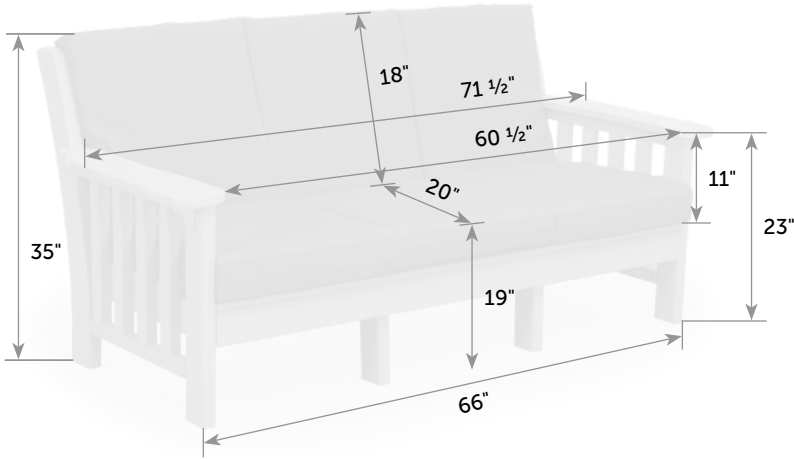


SeaAira Fire Pit

1350-P Catalog Pg. 51

Freight

Item #	lbs	Zones	2	3	4	5	6	7	8
1350-P	125		209.00	209.00	209.00	224.00	252.00	252.00	302.00



Cushions included

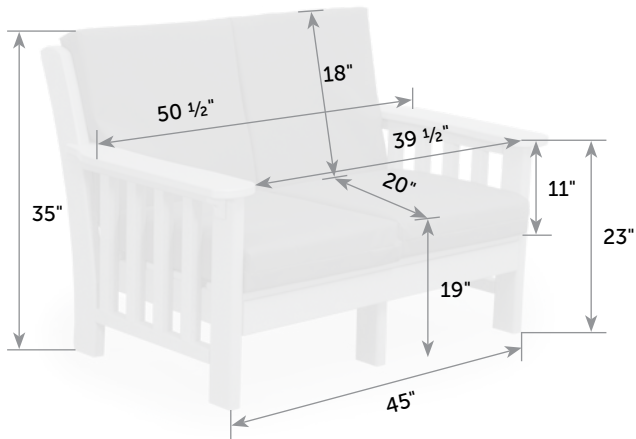
Mission Sofa

952-P *Catalog Pg. 28*

Box 33 3/4"

22" x 6" x 45" (3)
and
17" x 6" x 73"
and
34" x 5" x 34"

Item #	lbs	Zones	2	3	4	5	6	7	8
952-P	140		125.93	134.50	142.21	154.82	169.14	184.32	200.25



Cushions included

Mission Love Seat

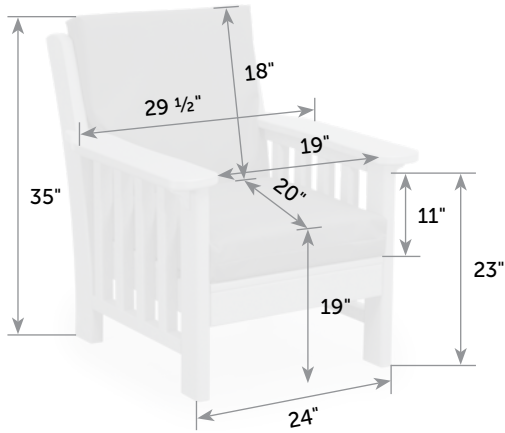
951-P *Catalog Pg. 28*

Box 33 3/4"

22" x 6" x 45" (2)
and
17" x 6" x 43"
and
34" x 5" x 34"

Item #	lbs	Zones	2	3	4	5	6	7	8
951-P	95		96.74	103.53	108.96	119.48	131.06	143.22	158.37

Choice of 5" or 7" seat cushions



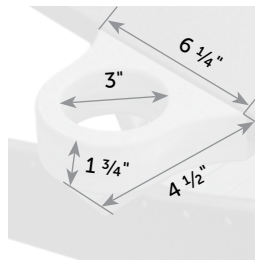
Mission Chair

950-P *Catalog Pg. 28*



Cushions included

Item #	lbs	Zones	2	3	4	5	6	7	8
950-P	65		55.58	60.34	63.46	70.65	77.03	84.43	93.48



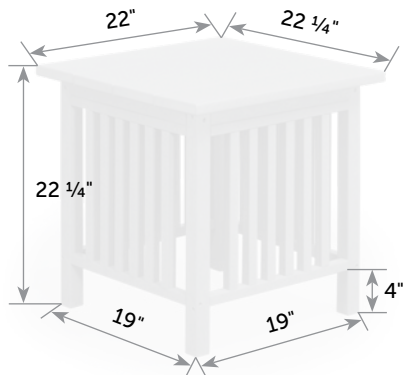
Cup Holder

906-P

Catalog Pg. 29



Item #	lbs	Zones	2	3	4	5	6	7	8
906-P	2		12.01	12.47	13.07	13.24	13.66	13.77	14.09



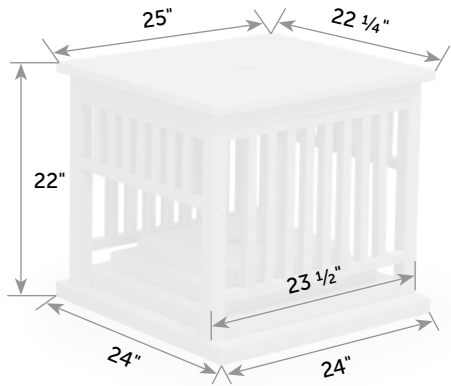
Mission End Table

954-P *Catalog Pg. 29*



Item #	lbs	Zones	2	3	4	5	6	7	8
954-P	35		21.23	23.68	25.38	28.72	33.98	37.94	43.25

Choice of 5" or 7" seat cushions

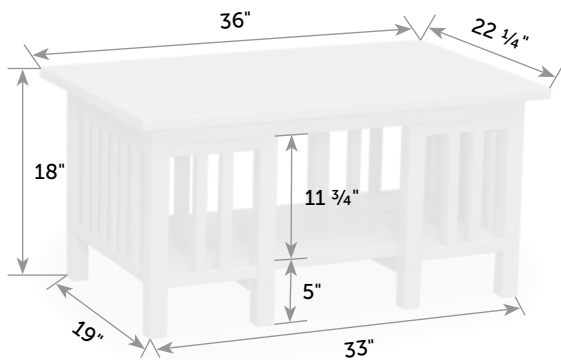


Mission Umbrella Stand

956-P *Catalog Pg. 29*

Box 
25" x 9" x 25"

Item #	lbs	Zones	2	3	4	5	6	7	8
956-P	80		38.60	41.54	44.21	49.43	56.15	64.04	65.75

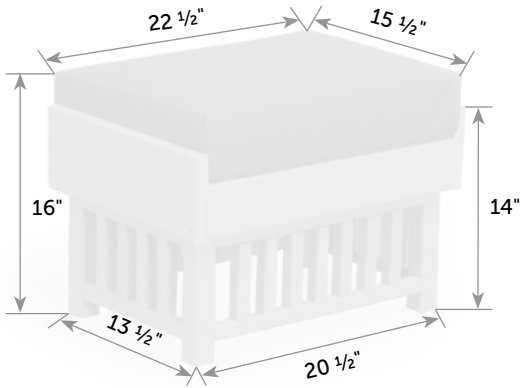


Mission Coffee Table

953-P *Catalog Pg. 29*

Box 
23" x 14" x 36"

Item #	lbs	Zones	2	3	4	5	6	7	8
953-P	60		31.28	36.10	39.29	44.98	51.12	56.54	64.46



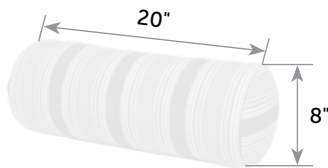
Cushions included

Mission Ottoman

955-P *Catalog Pg. 29*

Box 
16" x 16" x 22 1/2"

Item #	lbs	Zones	2	3	4	5	6	7	8
955-P	25		23.06	25.54	27.11	30.24	35.38	39.24	44.85



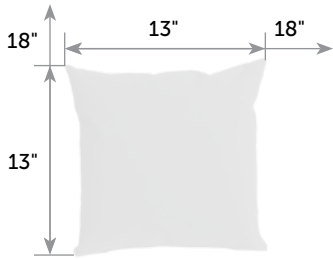
Cylinder Cushions

961 *Catalog Pg. 29*

Box 
8" x 8" x 20"

Item #	lbs	Zones	2	3	4	5	6	7	8
961	1		16.28	16.98	17.91	18.30	18.66	19.01	19.75

Choice of 5" or 7" seat cushions



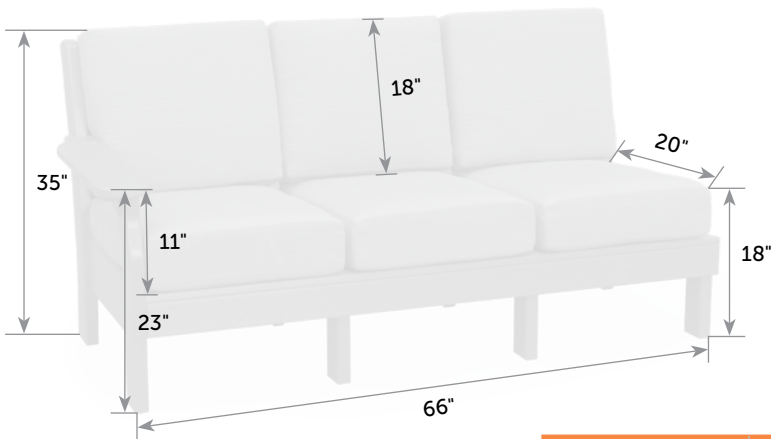
Pillow

Catalog Pg. 29



- 960 23" x 6" x 23"
- 968 23" x 6" x 23"

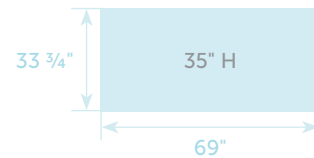
Item #	W x L	Lb.	Zones	2	3	4	5	6	7	8
960	13" x 13"	1		16.28	16.98	17.91	18.30	18.66	19.01	19.75
968	18" x 18"	1		16.28	16.98	17.91	18.30	18.66	19.01	19.75



Van Buren Sectional

992-PL or 992-PR Catalog Pg. 34

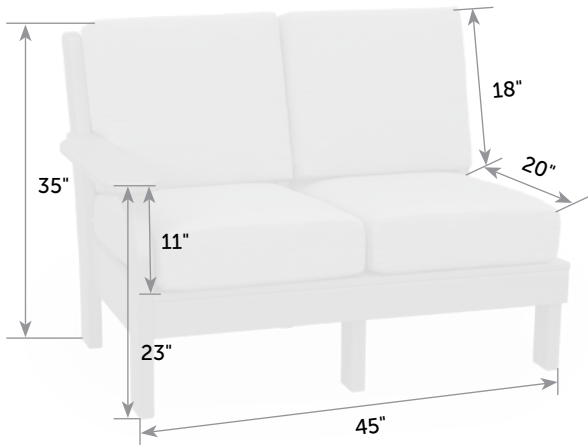
- Box 22" x 6" x 45" (3)
- and 17" x 6" x 73"
- and 34" x 5" x 34"



Cushions included

Item #	lbs	Zones	2	3	4	5	6	7	8
992-PL 992-PR	120		125.93	134.50	142.21	154.82	169.14	184.32	200.25

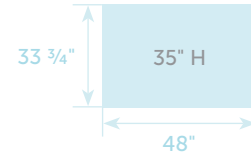
Choice of 5" or 7" seat cushions



Van Buren Sectional

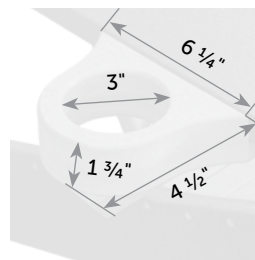
991-PL or 991-PR *Catalog Pg. 34*

Box 22" x 6" x 45" (2)
and
17" x 6" x 43"
and
34" x 5" x 34"



Cushions included

Item #	lbs	Zones	2	3	4	5	6	7	8
991-PL 991-PR	95		96.74	103.53	108.96	119.48	131.06	143.22	158.37



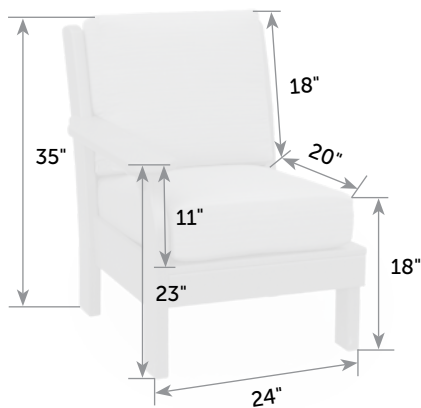
Cup Holder

906-P

Catalog Pg. 34

Box 6" x 6" x 6"

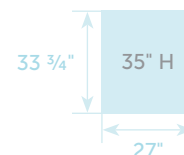
Item #	lbs	Zones	2	3	4	5	6	7	8
906-P	2		12.01	12.47	13.07	13.24	13.66	13.77	14.09



Van Buren Sectional

990-PL or 990-PR *Catalog Pg. 34*

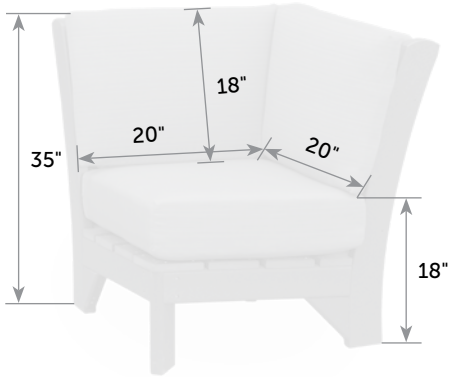
Box 22" x 6" x 45"
and
34" x 5" x 34"



Cushions included

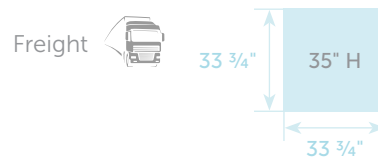
Item #	lbs	Zones	2	3	4	5	6	7	8
990-PL 990-PR	55		55.58	60.34	63.46	70.65	77.03	84.43	93.48

Choice of 5" or 7" seat cushions



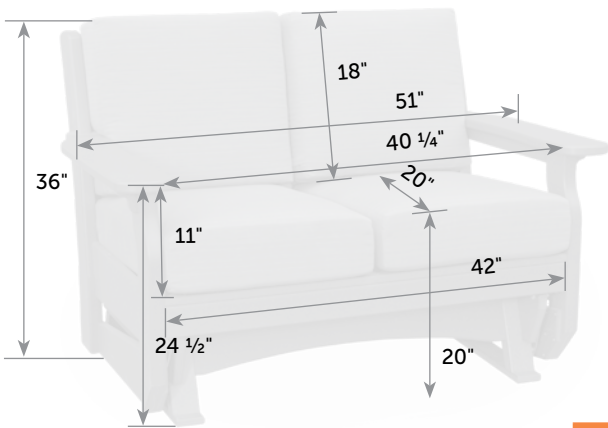
Van Buren Corner Section

998-P *Catalog Pg. 34*



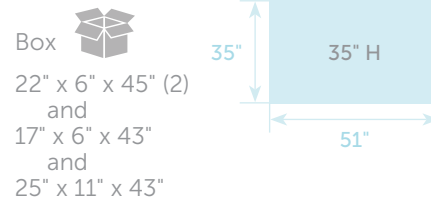
Cushions included

Item #	lbs	Zones	2	3	4	5	6	7	8
998-P	75		209.00	209.00	209.00	224.00	252.00	252.00	302.00



Van Buren Glider

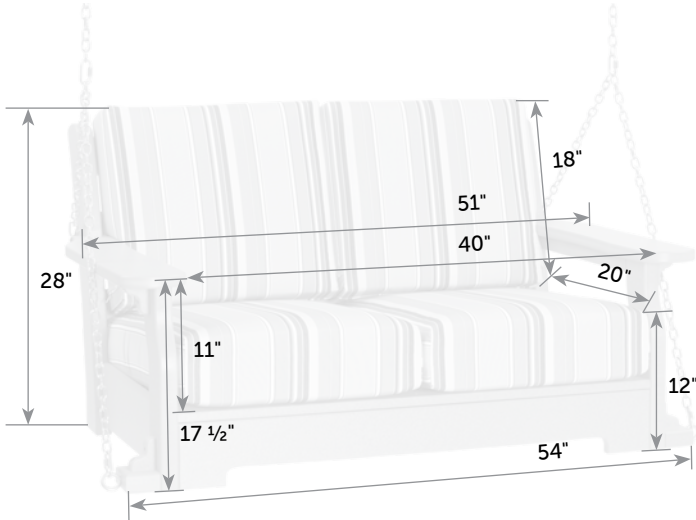
999-P *Catalog Pg. 34*



Cushions included

Item #	lbs	Zones	2	3	4	5	6	7	8
999-P	125		125.93	134.50	142.21	154.82	169.14	184.32	200.25

Choice of 5" or 7" seat cushions



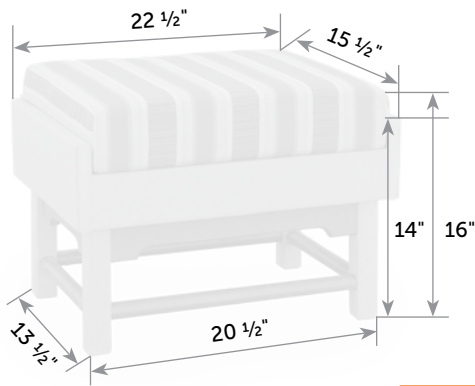
Van Buren Swing

997-P *Catalog Pg. 34*

Freight

Cushions included

Item #	lbs	Zones	2	3	4	5	6	7	8
997-P	75		209.00	209.00	209.00	224.00	252.00	252.00	302.00



Van Buren Ottoman

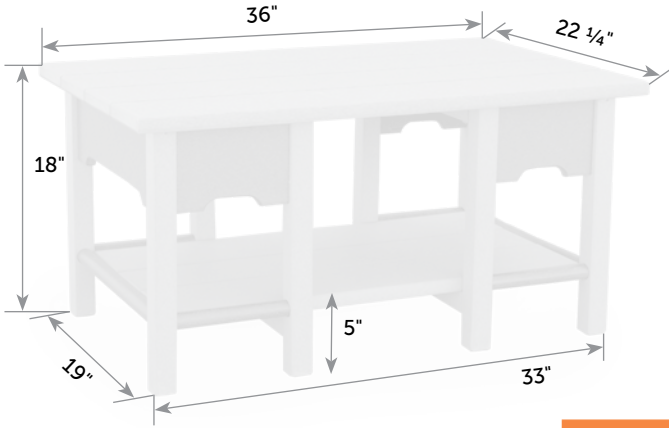
995-P *Catalog Pg. 35*

Box
16" x 16" x 22 1/2"

Cushions included

Item #	lbs	Zones	2	3	4	5	6	7	8
995-P	20		23.06	25.54	27.11	30.24	35.38	39.24	44.85

Choice of 5" or 7" seat cushions

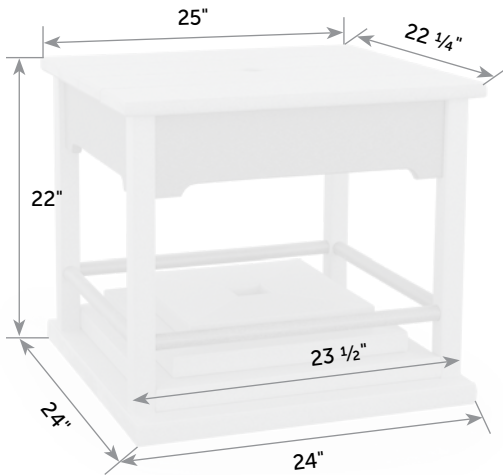


Van Buren Coffee Table

993-P *Catalog Pg. 35*

Box
 23" x 14" x 36"

Item #	lbs	Zones	2	3	4	5	6	7	8
993-P	53		31.28	36.10	39.29	44.98	51.12	56.54	64.46



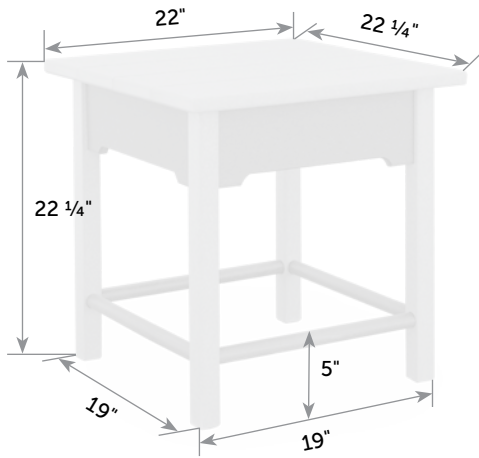
Van Buren Umbrella Stand

996-P *Catalog Pg. 35*

Box
 25" x 9" x 25"

Item #	lbs	Zones	2	3	4	5	6	7	8
996-P	75		38.60	41.54	44.21	49.43	56.15	64.04	65.75

Choice of 5" or 7" seat cushions



Van Buren End Table

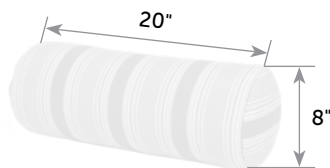
994-P *Catalog Pg. 35*

Box 
23" x 6" x 23"

Item #	lbs	Zones	2	3	4	5	6	7	8
994-P	28		20.62	22.43	23.65	26.32	30.87	34.38	39.20

Cylinder Cushions

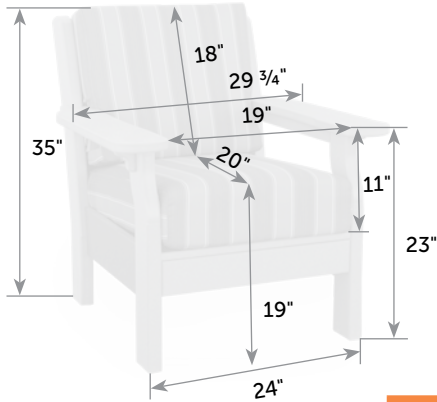
961 *Catalog Pg. 35*



Box 
8" x 8" x 20"

Item #	lbs	Zones	2	3	4	5	6	7	8
961	1		16.28	16.98	17.91	18.30	18.66	19.01	19.75

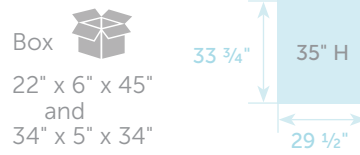
Choice of 5" or 7" seat cushions



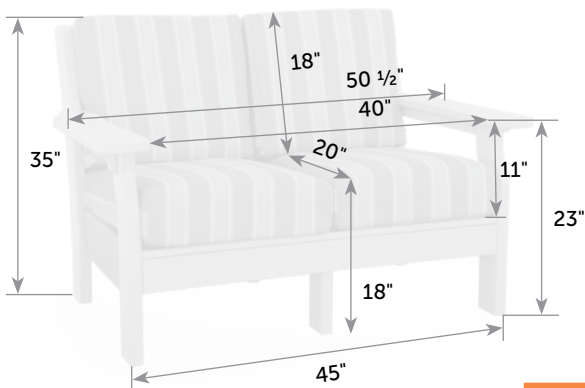
Cushions included

Van Buren Chair

990-P *Catalog Pg. 35*



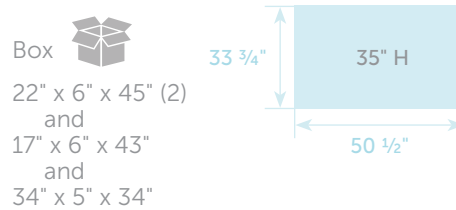
Item #	lbs	Zones	2	3	4	5	6	7	8
990-P	60		55.58	60.34	63.46	70.65	77.03	84.43	93.48



Cushions included

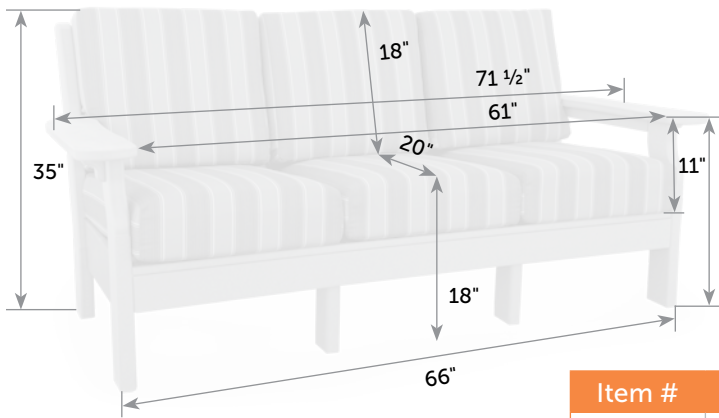
Van Buren Love Seat

991-P *Catalog Pg. 35*



Item #	lbs	Zones	2	3	4	5	6	7	8
991-P	95		96.74	103.53	108.96	119.48	131.06	143.22	158.37

Choice of 5" or 7" seat cushions

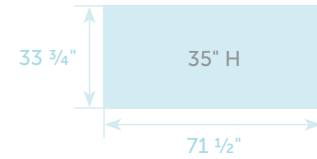


Cushions included

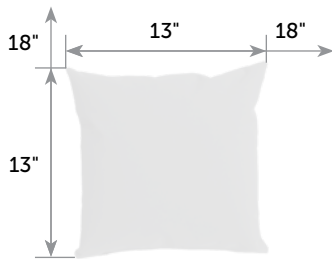
Van Buren Sofa

992-P *Catalog Pg. 35*

Box 22" x 6" x 45" (3)
and
17" x 6" x 73"
and
34" x 5" x 34"



Item #	lbs	Zones	2	3	4	5	6	7	8
992-P	125		125.93	134.50	142.21	154.82	169.14	184.32	200.25



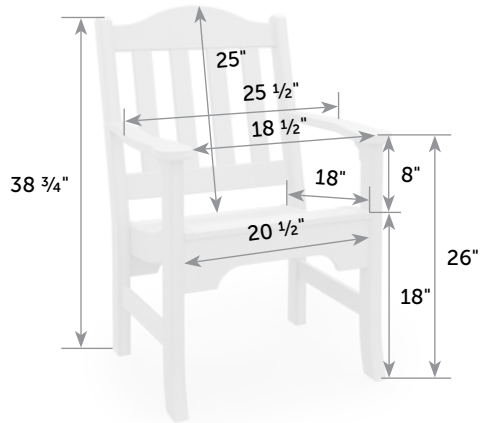
Pillow

Catalog Pg. 35

Box 960 23" x 6" x 23"
968 23" x 6" x 23"

Item #	W x L	Lb.	Zones	2	3	4	5	6	7	8
960	13" x 13"	1		16.28	16.98	17.91	18.30	18.66	19.01	19.75
968	18" x 18"	1		16.28	16.98	17.91	18.30	18.66	19.01	19.75

Choice of 5" or 7" seat cushions

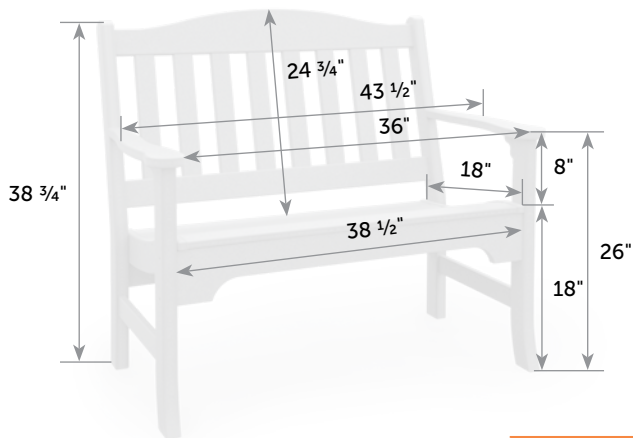


Avonlea Garden Chair

940-P *Catalog Pg. 39*



Item #	lbs	Zones	2	3	4	5	6	7	8
940-P	35		28.30	32.08	35.43	41.49	47.07	53.31	60.84

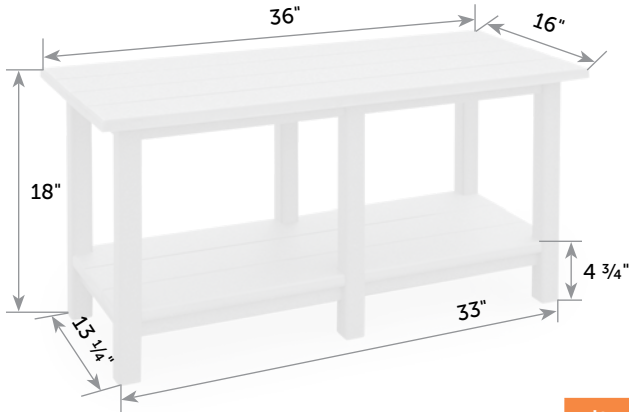


Avonlea Garden Bench

941-P *Catalog Pg. 39*



Item #	lbs	Zones	2	3	4	5	6	7	8
941-P	55		30.28	35.10	38.29	43.98	50.12	55.54	63.46

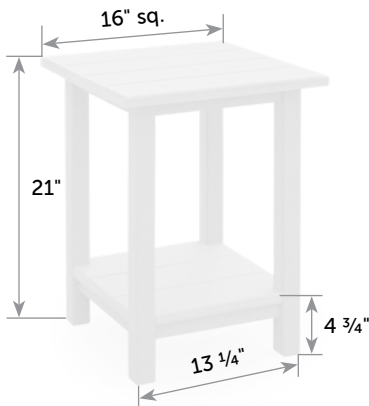


Avonlea Garden Coffee Table

943-P *Catalog Pg. 39*

Box 16" x 18" x 36"

Item #	lbs	Zones	2	3	4	5	6	7	8
943-P	30		27.20	31.69	33.87	40.46	46.07	52.31	59.99

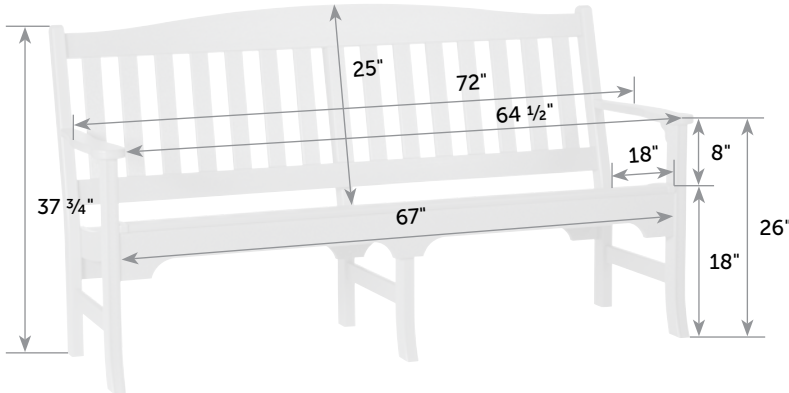


Avonlea Garden Side Table

942-P *Catalog Pg. 39*

Box 16" x 16" x 22 1/2"

Item #	lbs	Zones	2	3	4	5	6	7	8
942-P	12		20.34	22.82	24.39	27.52	32.66	36.52	42.13

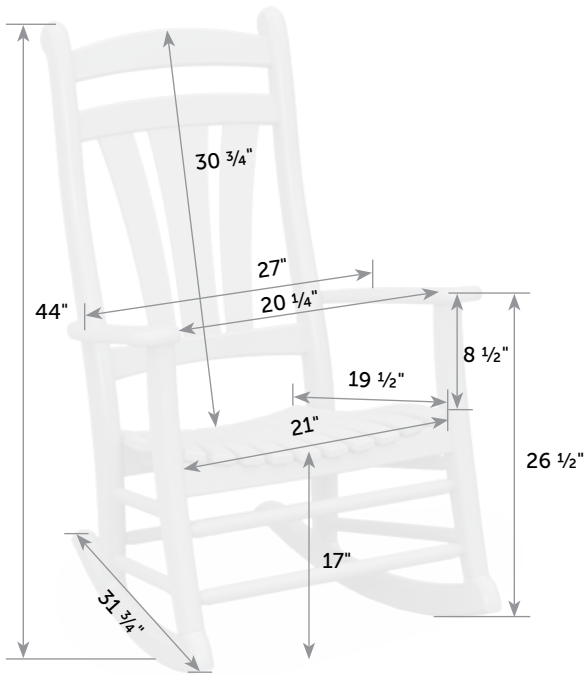


6' Avonlea Garden Bench

944-P *Catalog Pg. 39*



Item #	lbs	Zones	2	3	4	5	6	7	8
944-P	110		219.00	257.00	257.00	282.00	320.00	320.00	388.00

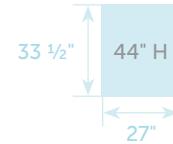


High Tide Rocker

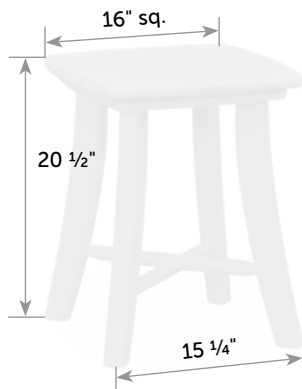
600B

Catalog Pg. 43

Box 27" x 34" x 44"



Item #	lbs	Zones	2	3	4	5	6	7	8
600B	35		30.28	35.10	38.29	43.98	50.12	55.54	63.46



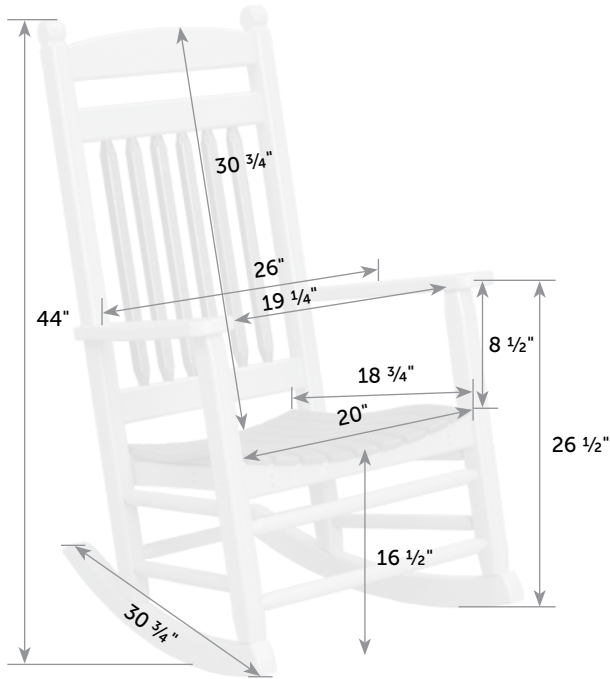
High Tide Side Table

605B

Catalog Pg. 43

Box 16" x 16" x 22 1/2"

Item #	lbs	Zones	2	3	4	5	6	7	8
605B	15		20.34	22.82	24.39	27.52	32.66	36.52	42.13



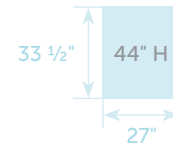
Zinn's Mill Rocker

500B

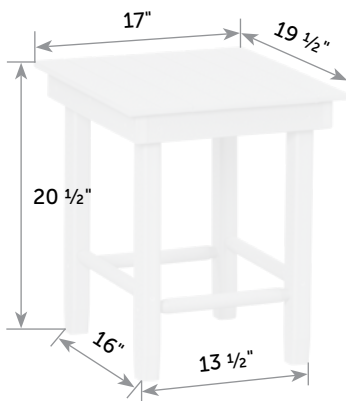
Catalog Pg. 45



Box
27" x 34" x 44"



Item #	lbs	Zones	2	3	4	5	6	7	8
500B	35		30.28	35.10	38.29	43.98	50.12	55.54	63.46



Zinn's Mill Side Table

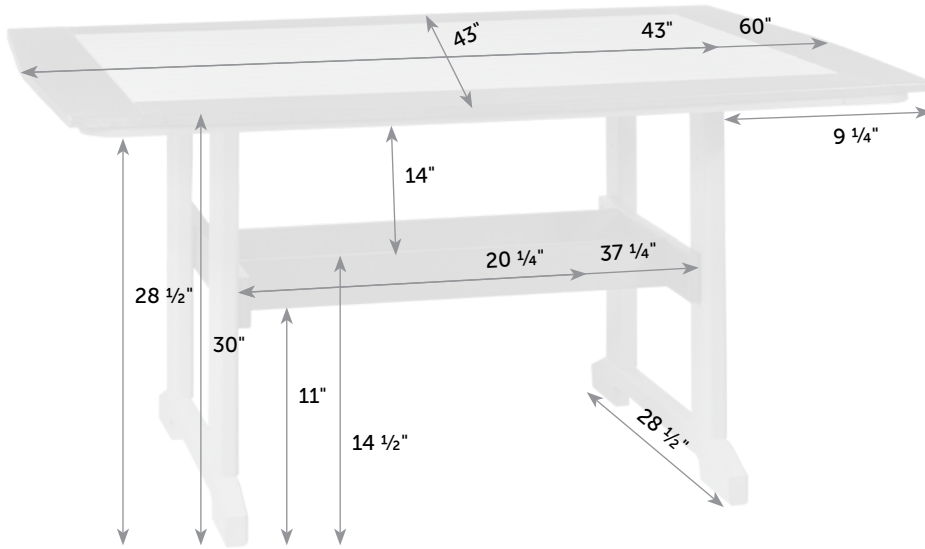
505B

Catalog Pg. 45



Box
16" x 16" x 22 1/2"

Item #	lbs	Zones	2	3	4	5	6	7	8
505B	15		20.34	22.82	24.39	27.52	32.66	36.52	42.13



Great Bay Dining Table

Catalog Pg. 55

980-P

981-P

Box

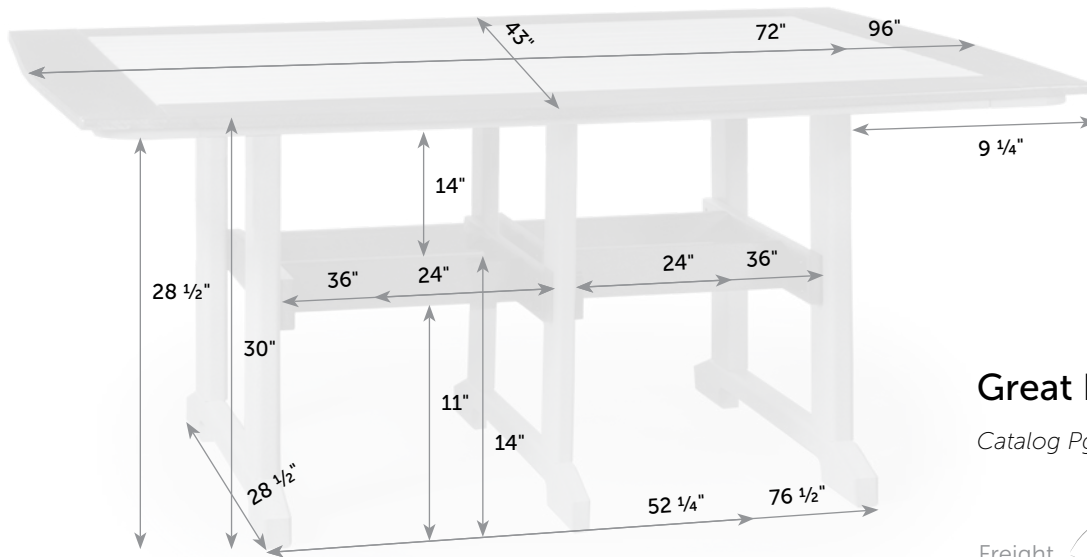


Freight



43" x 6" x 43"

Item #	W x L	Lb.	Zones	2	3	4	5	6	7	8
980-P	43" x 43"	105		118.90	119.22	122.07	125.02	131.49	136.95	143.09
981-P	43" x 60"	110		209.00	209.00	209.00	224.00	252.00	252.00	302.00



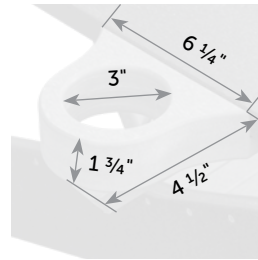
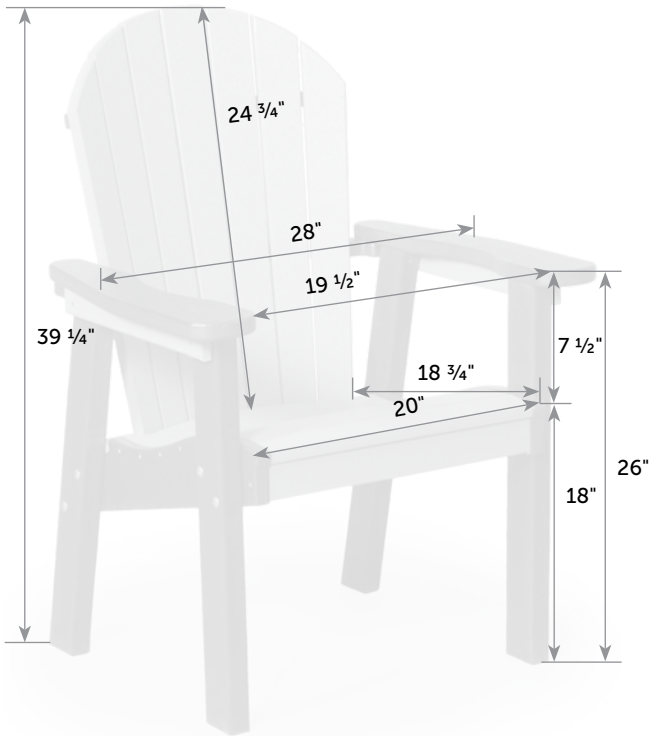
Great Bay Dining Table

Catalog Pg. 55

Freight



Item #	W x L	Lb.	Zones	2	3	4	5	6	7	8
982-P	43" x 72"	145		219.00	257.00	257.00	282.00	320.00	320.00	388.00
983-P	43" x 96"	160		258.00	308.00	308.00	339.00	388.00	388.00	472.00



Cup Holder
906-P

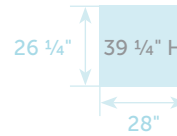
Catalog Pg. 55

Box 6" x 6" x 6"

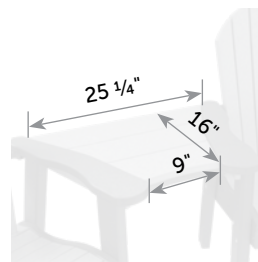
Great Bay Dining Chair

979-P Catalog Pg. 55

Box 25" x 9" x 42"



Item #	lbs	Zones	2	3	4	5	6	7	8
979-P	40		28.30	32.08	35.43	41.49	47.07	53.31	60.84
906-P	2		12.01	12.47	13.07	13.24	13.66	13.77	14.09
979-PA	5		16.50	17.11	18.17	18.65	18.92	19.45	20.27



Great Bay Table Attachment
979-PA

Catalog Pg. 55

Box 22" x 6" x 22"

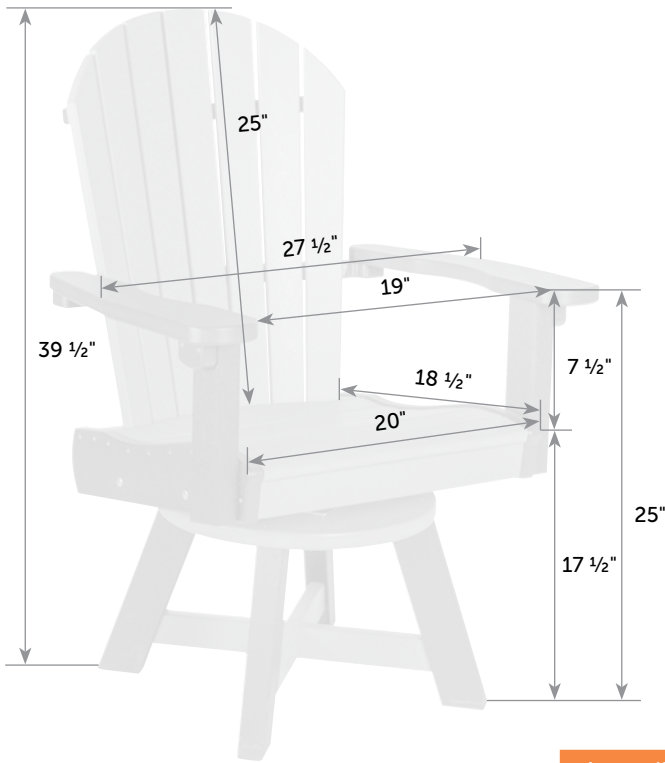
Table attaches easily with 4 thumb-screws.

Seat Cushion for Great Bay Dining Chair

965 Catalog Pg. 55

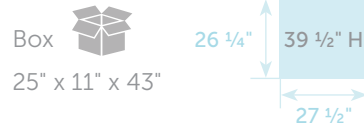
Box 22" x 6" x 22"

Item #	lbs	Zones	2	3	4	5	6	7	8
965	1		15.47	16.07	17.27	17.67	17.99	18.42	19.31

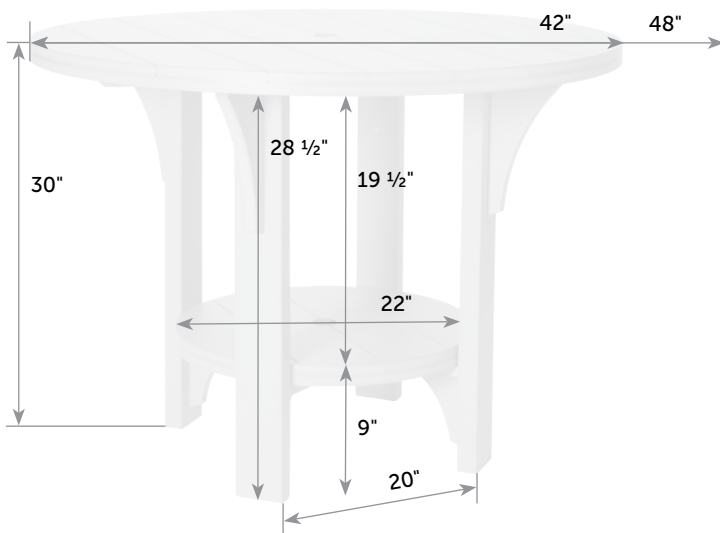


Great Bay Swivel Dining Chair

973-P *Catalog Pg. 55*

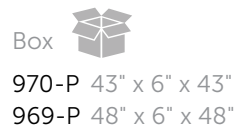


Item #	lbs	Zones	2	3	4	5	6	7	8
973-P	50		30.28	35.10	38.29	43.98	50.12	55.54	63.46

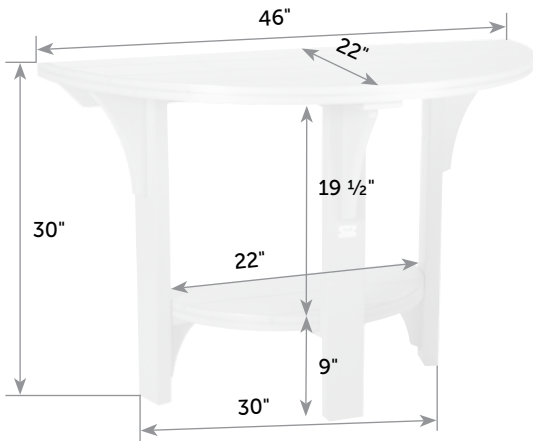


Round Dining Table

Catalog Pg. 55



Item #	W x L	Lb.	Zones	2	3	4	5	6	7	8
970-P	42" x 42"	85		103.90	106.84	109.51	114.73	121.45	129.34	131.05
969-P	48" x 48"	125		116.84	117.17	120.26	123.34	129.89	135.34	141.14

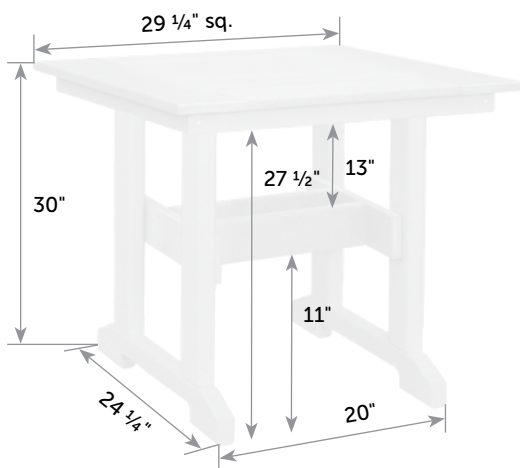


46" Half Round Dining Table

971-P *Catalog Pg. 55*

Box 
25" x 7" x 46"

Item #	lbs	Zones	2	3	4	5	6	7	8
971-P	57		24.87	28.56	31.90	37.73	43.08	49.78	56.82

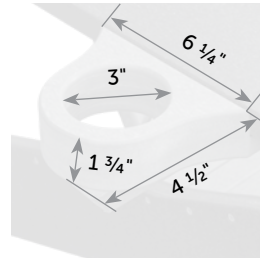
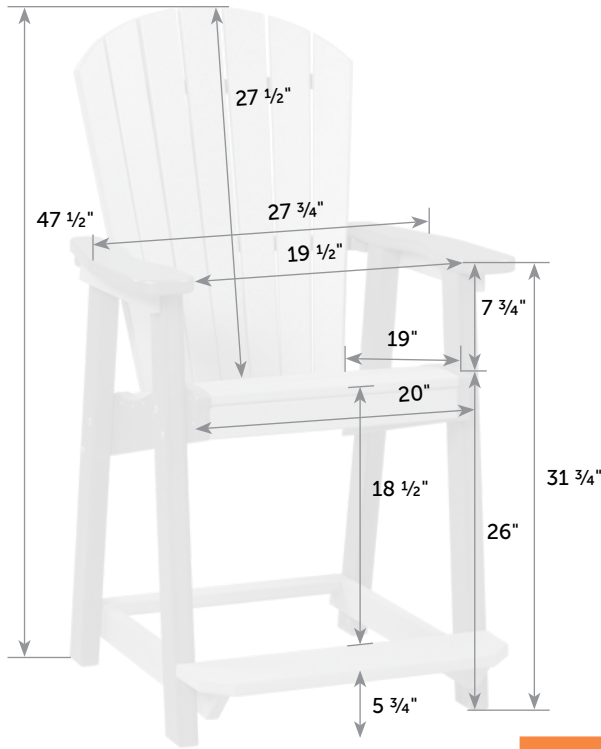


29 1/4" Square Dining Table

972-P *Catalog Pg. 55*

Box 
30" x 6" x 39"

Item #	lbs	Zones	2	3	4	5	6	7	8
972-P	65		27.30	31.08	34.43	40.49	46.07	52.31	59.84



Cup Holder
906-PC

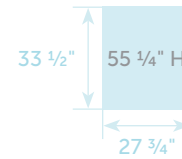
Catalog Pg. 59

Box 6"x6"x6"

Great Bay Counter Chair

975-PC Catalog Pg. 58

Box 25" x 11" x 43"



Item #	lbs	Zones	2	3	4	5	6	7	8
975-PC	50		30.28	35.10	38.29	43.98	50.12	55.54	63.46
906-PC	2		12.01	12.47	13.07	13.24	13.66	13.77	14.09
975-PAC	5		16.50	17.11	18.17	18.65	18.92	19.45	20.27



Seat Cushion for Great Bay Counter Chair

985 Catalog Pg. 58

Box 22" x 6" x 22"

Item #	lbs	Zones	2	3	4	5	6	7	8
985	1		15.47	16.07	17.27	17.67	17.99	18.42	19.31

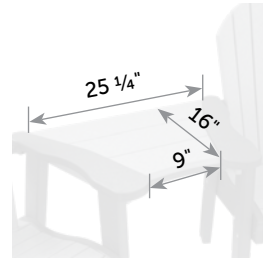
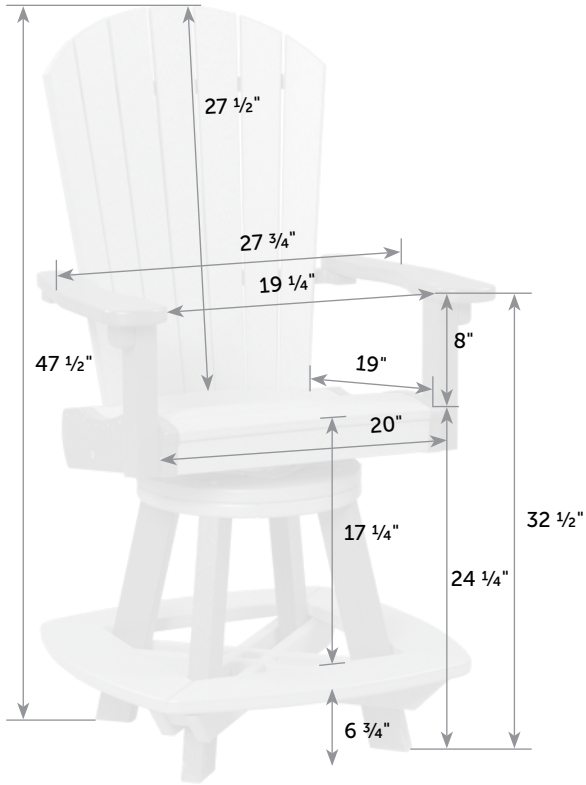


Table Attachment 975-PAC

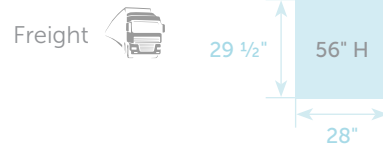
Catalog Pg. 59

Table attaches easily with 4 thumb-screws.

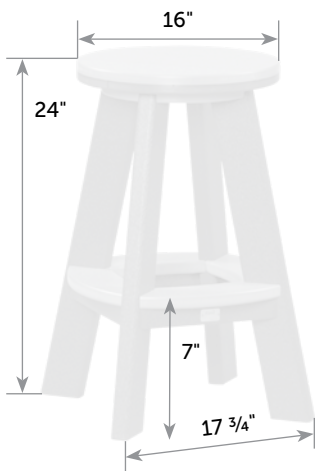
Box 22" x 6" x 22"

Great Bay Swivel Counter Chair

973-PC Catalog Pg. 58



Item #	lbs	Zones	2	3	4	5	6	7	8
973-PC	70		209.00	209.00	209.00	224.00	252.00	252.00	302.00

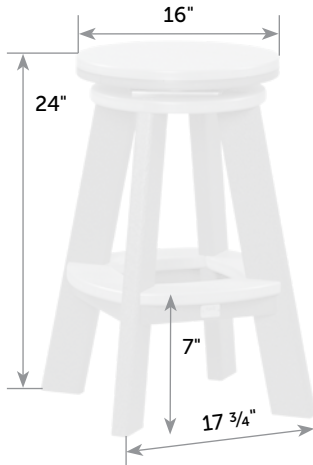


Great Bay Counter Stool

974-PC Catalog Pg. 59

Box 18" x 18" x 30"

Item #	lbs	Zones	2	3	4	5	6	7	8
974-PC	30		27.15	30.90	34.21	40.29	45.76	52.10	59.54



Great Bay Swivel Counter Stool

974-PSC *Catalog Pg. 59*

Box 
18" x 18" x 30"

Item #	lbs	Zones	2	3	4	5	6	7	8
974-PSC	30		27.15	30.90	34.21	40.29	45.76	52.10	59.54

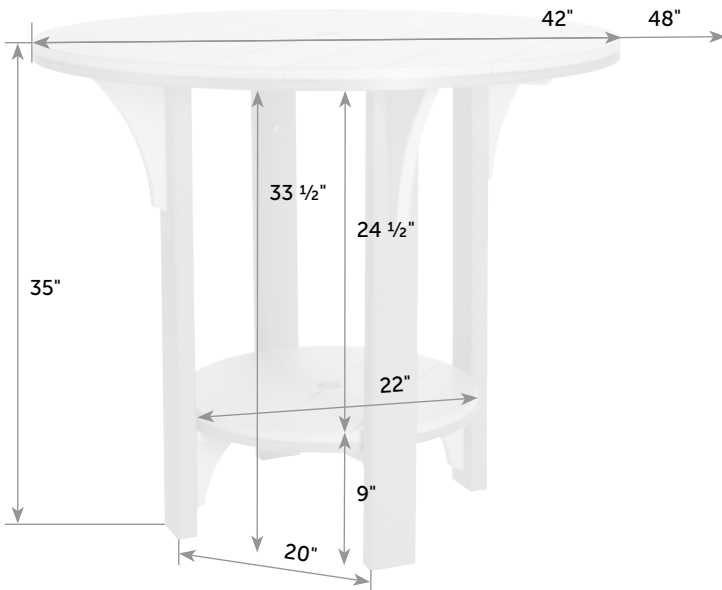


Seat Cushion for Great Bay Stool

986 *Catalog Pg. 59*

Box 
18" x 18" x 30"

Item #	lbs	Zones	2	3	4	5	6	7	8
986	30		27.15	30.90	34.21	40.29	45.76	52.10	59.54



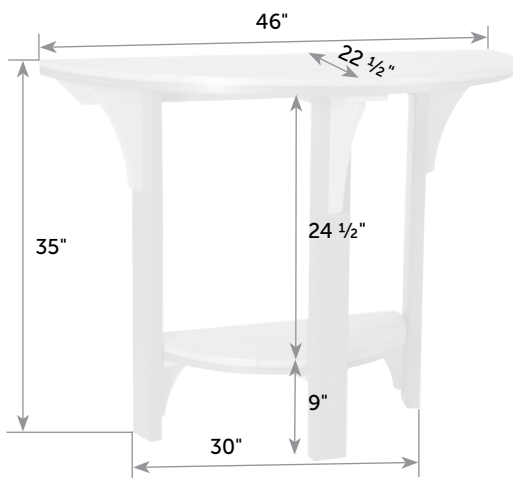
Round Counter Table

Catalog Pg. 59



970-PC 43" x 6" x 43"
969-PC 48" x 6" x 48"

Item #	W x L	Lb.	Zones	2	3	4	5	6	7	8
970-PC	42" x 42"	85		103.90	106.84	109.51	114.73	121.45	129.34	131.05
969-PC	48" x 48"	125		116.84	117.17	120.26	123.34	129.89	135.34	141.14



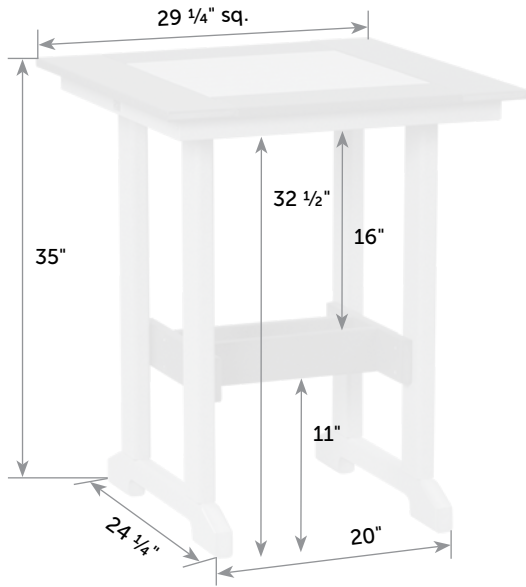
46" Half Round Counter Table

971-PC Catalog Pg. 59



25" x 7" x 46"

Item #	lbs	Zones	2	3	4	5	6	7	8
971-PC	57		24.87	28.56	31.90	37.73	43.08	49.78	56.82

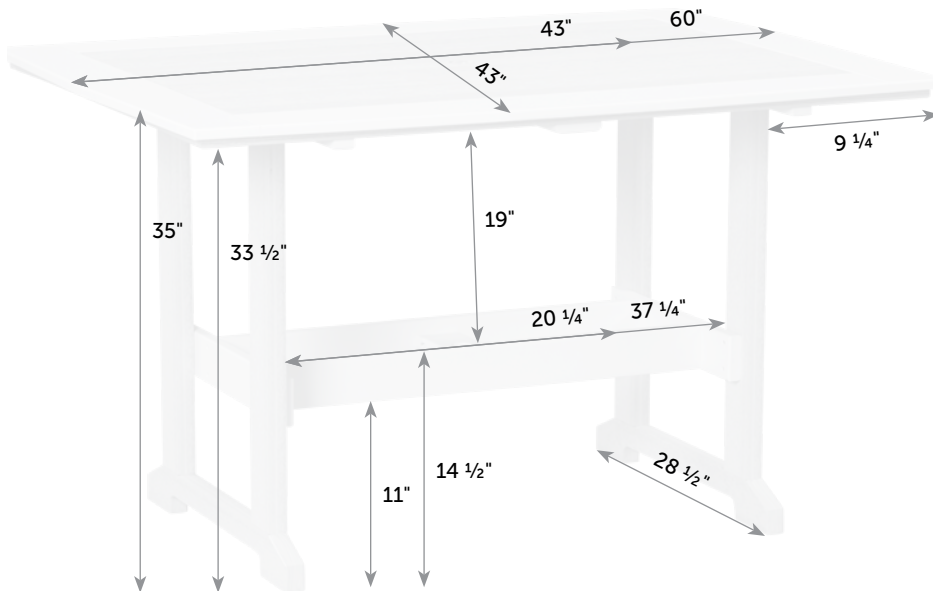


29 1/4" Square Counter Table

972-PC *Catalog Pg. 59*

Box 30" x 6" x 39"

Item #	lbs	Zones	2	3	4	5	6	7	8
972-PC	65		27.30	31.08	34.43	40.49	46.07	52.31	59.84



Great Bay Counter Table

Catalog Pg. 59

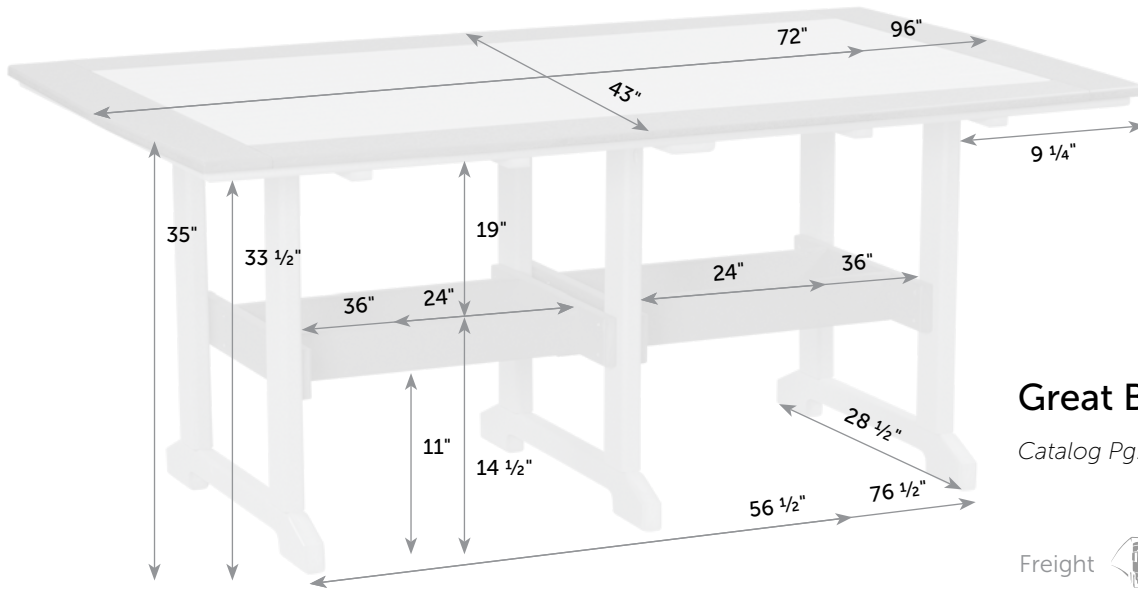
980-PC

981-PC

Box 43" x 6" x 43"

Freight

Item #	W x L	Lb.	Zones	2	3	4	5	6	7	8
980-PC	43" x 43"	105		118.90	119.22	122.07	125.02	131.49	136.95	143.09
981-PC	43" x 60"	110		209.00	209.00	209.00	224.00	252.00	252.00	302.00

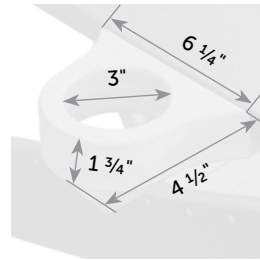
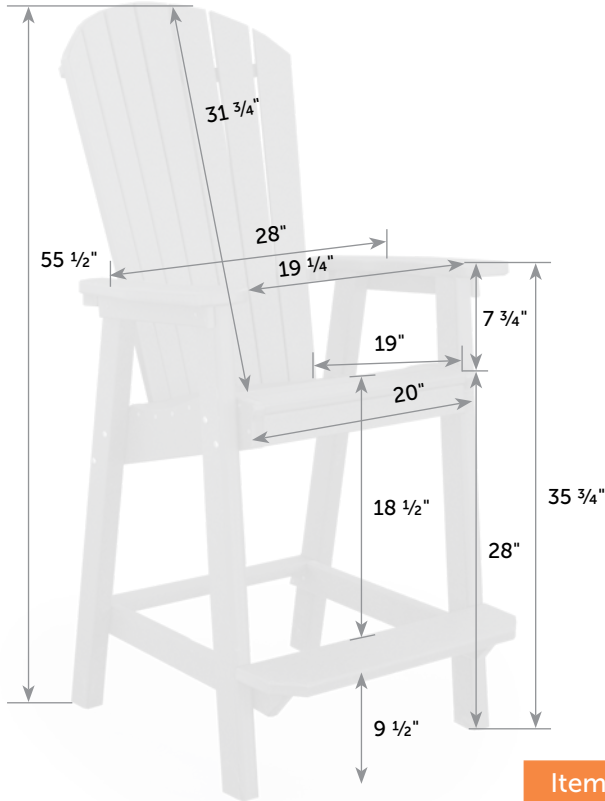


Great Bay Counter Table

Catalog Pg. 59

Freight

Item #	W x L	Lb.	Zones	2	3	4	5	6	7	8
982-PC	43" x 72"	145		219.00	257.00	257.00	282.00	320.00	320.00	388.00
983-PC	43" x 96"	160		258.00	308.00	308.00	339.00	388.00	388.00	472.00



Cup Holder
906-PB

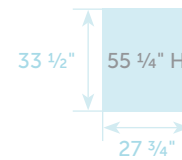
Catalog Pg. 63

Box 6"x6"x6"

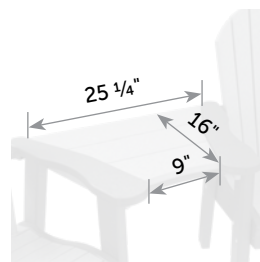
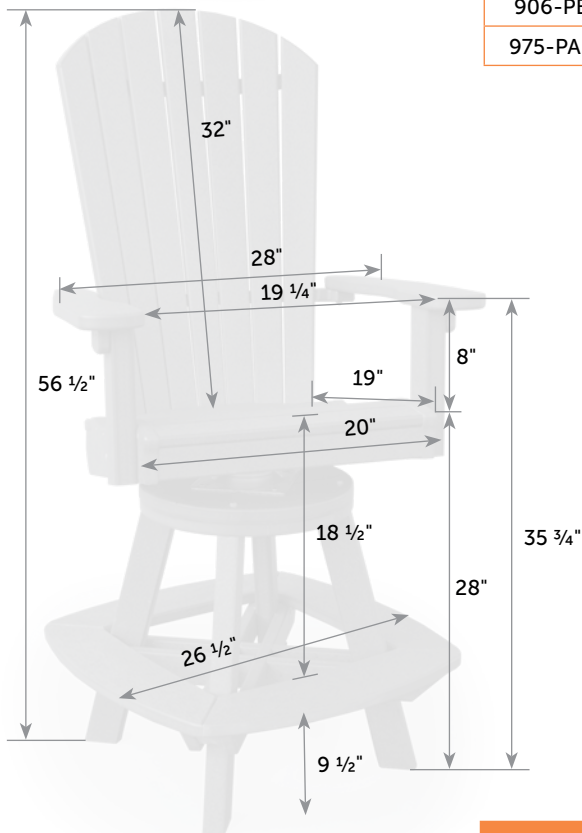
Great Bay Bar Chair

975-PB Catalog Pg. 62

Box 25" x 11" x 43"



Item #	lbs	Zones	2	3	4	5	6	7	8
975-PB	50		30.28	35.10	38.29	43.98	50.12	55.54	63.46
906-PB	2		12.01	12.47	13.07	13.24	13.66	13.77	14.09
975-PAB	5		16.50	17.11	18.17	18.65	18.92	19.45	20.27



Bar Table Attachment
975-PAB

Catalog Pg. 63

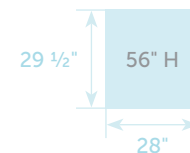
Box 22" x 6" x 22"

Table attaches easily with 4 thumb-screws.

Great Bay Swivel Bar Chair

973-PB Catalog Pg. 62

Freight



Item #	lbs	Zones	2	3	4	5	6	7	8
973-PB	70		209.00	209.00	209.00	224.00	252.00	252.00	302.00

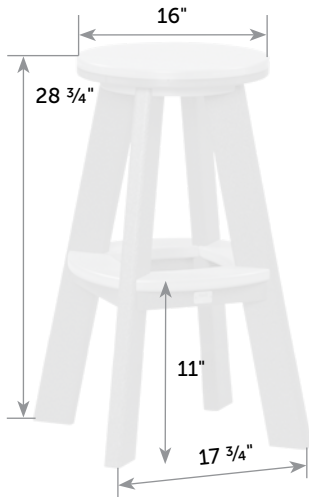


Seat Cushion for Great Bay Bar Chair

964 *Catalog Pg. 62*

Box 
22" x 6" x 22"

Item #	lbs	Zones	2	3	4	5	6	7	8
964	1		15.47	16.07	17.27	17.67	17.99	18.42	19.31

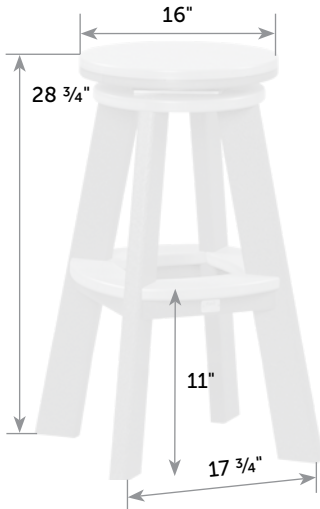


Great Bay Bar Stool

974-PB *Catalog Pg. 63*

Box 
18" x 18" x 30"

Item #	lbs	Zones	2	3	4	5	6	7	8
974-PB	30		27.15	30.90	34.21	40.29	45.76	52.10	59.54

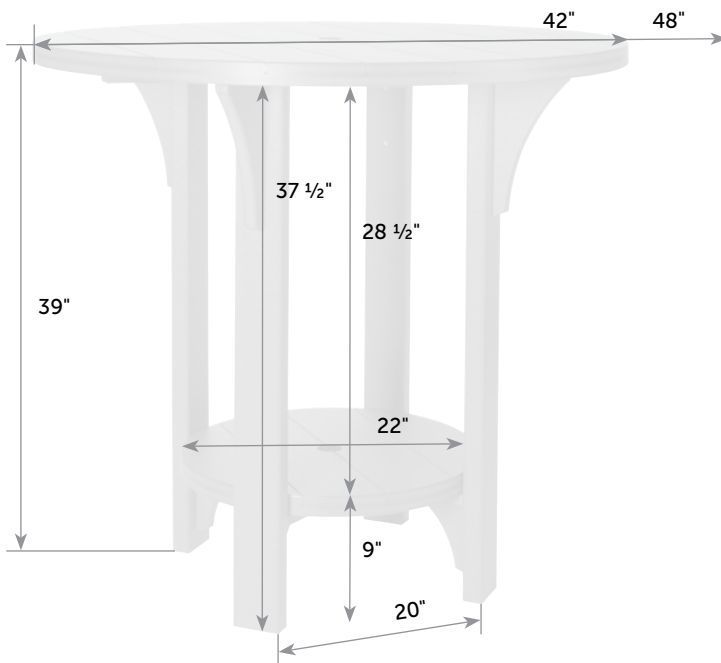


Great Bay Swivel Bar Stool

974-PSB *Catalog Pg. 63*

Box 
18" x 18" x 30"

Item #	lbs	Zones	2	3	4	5	6	7	8
974-PSB	30		27.15	30.90	34.21	40.29	45.76	52.10	59.54

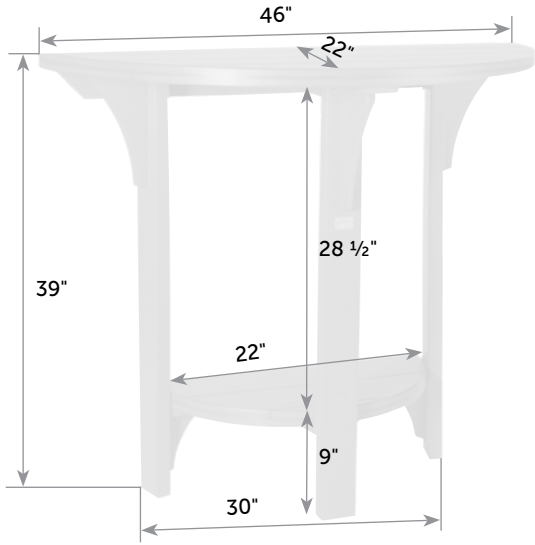


Round Bar Table

Catalog Pg. 63

Box 
970-PB 43" x 6" x 43"
969-PB 48" x 6" x 48"

Item #	W x L	Lb.	Zones	2	3	4	5	6	7	8
970-PB	42" x 42"	85		103.90	106.84	109.51	114.73	121.45	129.34	131.05
969-PB	48" x 48"	125		116.84	117.17	120.26	123.34	129.89	135.34	141.14

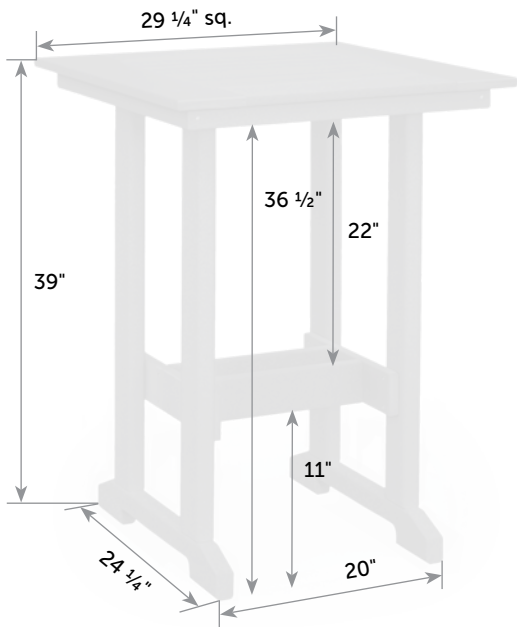


46" Half Round Bar Table

971-PB *Catalog Pg. 63*

Box 
25" x 7" x 46"

Item #	lbs	Zones	2	3	4	5	6	7	8
971-PB	57		24.87	28.56	31.90	37.73	43.08	49.78	56.82

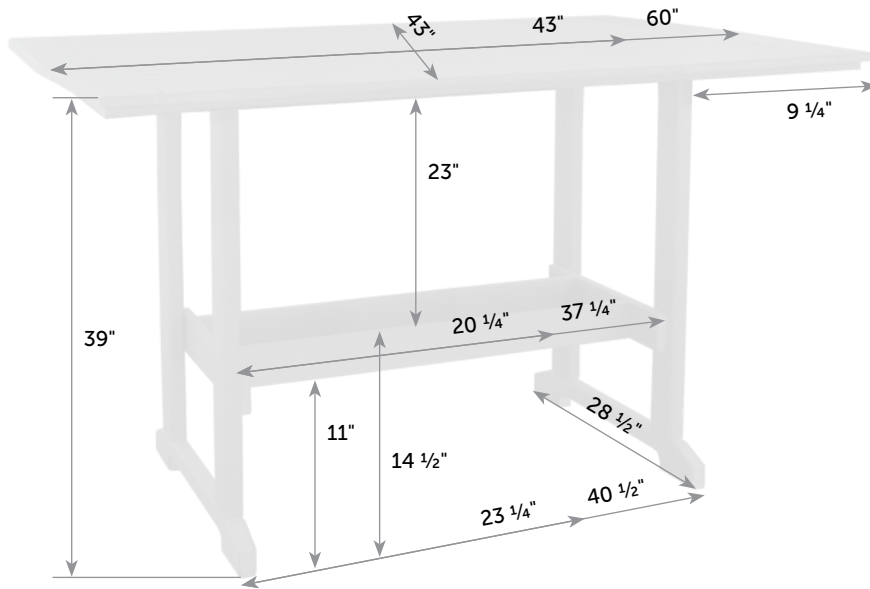


29 1/4" Square Bar Table

972-PB *Catalog Pg. 63*

Box 
30" x 6" x 39"

Item #	lbs	Zones	2	3	4	5	6	7	8
972-PB	65		27.30	31.08	34.43	40.49	46.07	52.31	59.84



Great Bay Bar Table

Catalog Pg. 63

980-PB

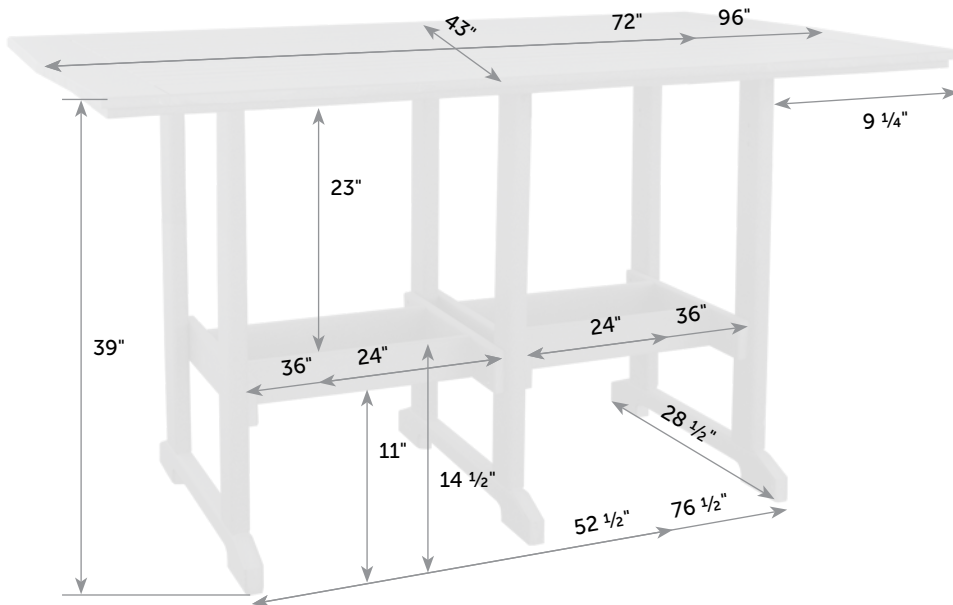
981-PB

Box

Freight

43" x 6" x 43"

Item #	W x L	Lb.	Zones	2	3	4	5	6	7	8
980-PB	43" x 43"	110		122.00	122.35	124.67	127.44	134.02	139.61	146.07
981-PB	43" x 60"	115		209.00	209.00	209.00	224.00	252.00	252.00	302.00

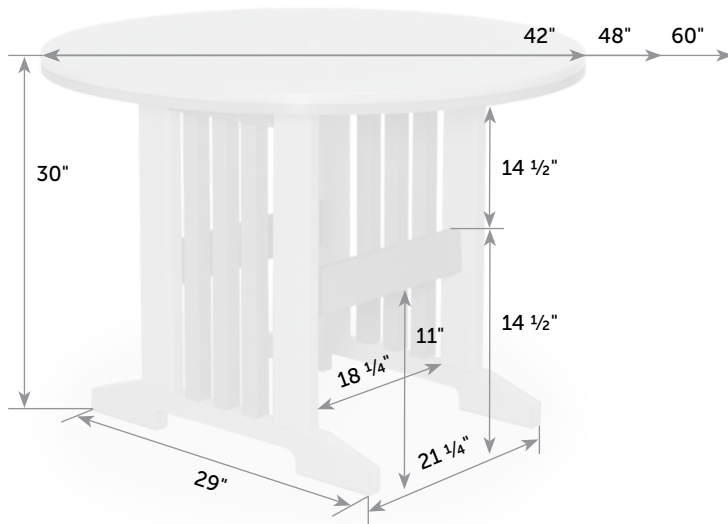


Great Bay Bar Table

Catalog Pg. 63

Freight

Item #	W x L	Lb.	Zones	2	3	4	5	6	7	8
982-PB	43" x 72"	150		219.00	257.00	257.00	282.00	320.00	320.00	388.00
983-PB	43" x 96"	165		258.00	308.00	308.00	339.00	388.00	388.00	472.00

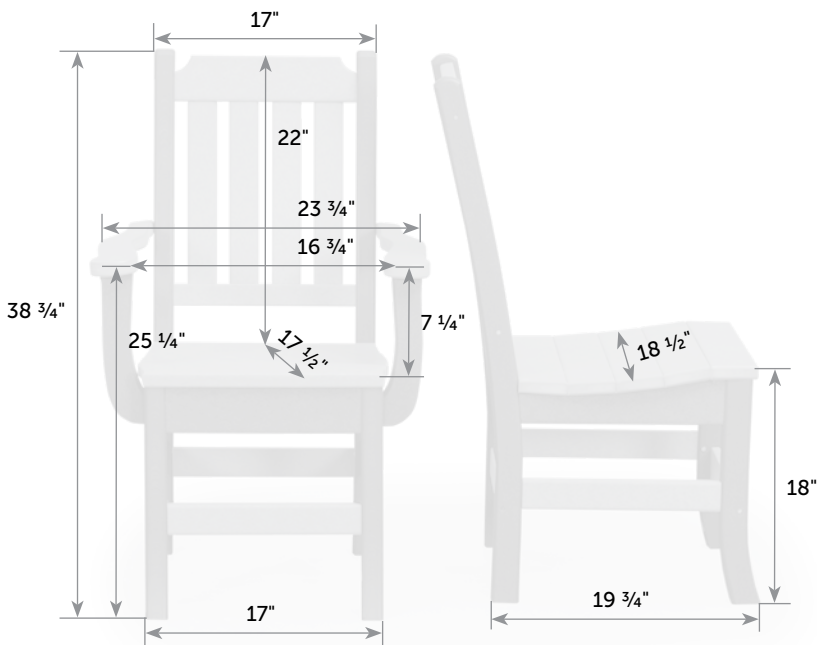


Round Dining Table

Catalog Pg. 67

Box 403-P
 401-P 43" x 6" x 43"
 402-P 48" x 6" x 48" Freight

Item #	W x L	Lb.	Zones	2	3	4	5	6	7	8
401-P	42" x 42"	75		96.87	100.20	103.72	109.96	116.47	122.76	127.74
402-P	48" x 48"	110		116.84	117.17	120.26	123.34	129.89	135.34	141.14
403-P	60" x 60"	175		209.00	209.00	209.00	224.00	252.00	252.00	302.00



Keystone Dining Chair

977-P Catalog Pg. 67

Box 24" x 27" x 40"
 24" x 27" x 40"
 With Arms 24" x 39" H
 24" x 39" H

Item #	lbs	Zones	2	3	4	5	6	7	8
977-P	25		60.70	61.05	63.37	66.14	72.72	78.31	84.77
977-PA	30		60.70	61.05	63.37	66.14	72.72	78.31	84.77

Keystone dining chairs also go well with the Great Bay, Mission and Garden tables.

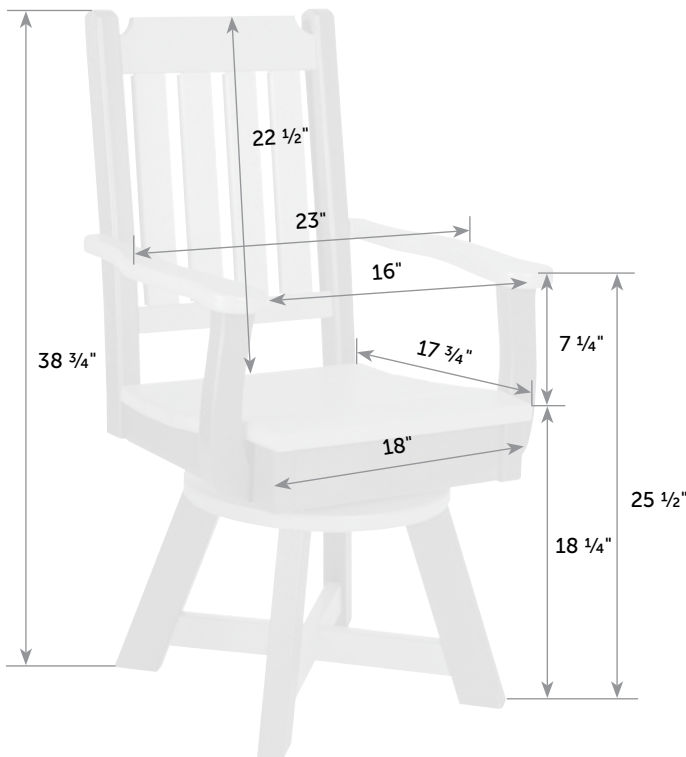


Seat Cushion for Keystone Chair

966 *Catalog Pg. 67*

Box 
22" x 6" x 22"

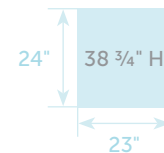
Item #	lbs	Zones	2	3	4	5	6	7	8
966	1		15.47	16.07	17.27	17.67	17.99	18.42	19.31



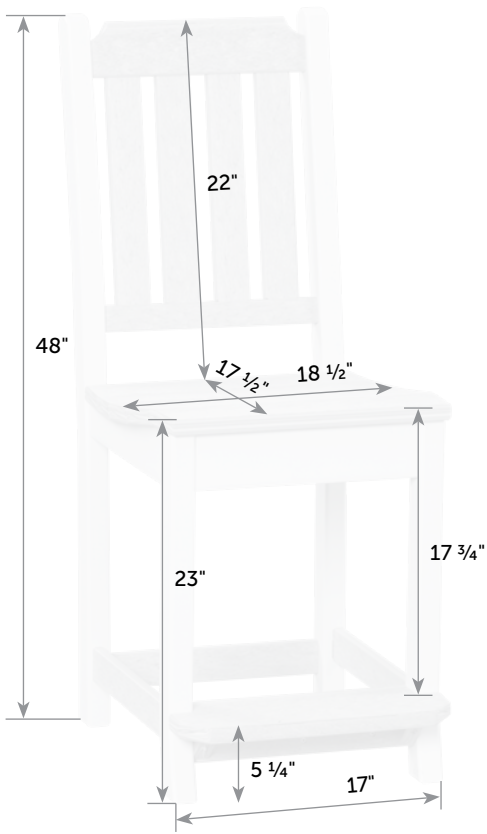
Keystone Swivel Dining Chair

977-PAS *Catalog Pg. 67*

Box 
24" x 27" x 25"



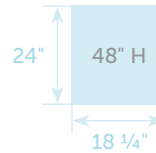
Item #	lbs	Zones	2	3	4	5	6	7	8
977-PAS	47		39.61	40.75	43.43	47.16	54.01	60.10	64.80



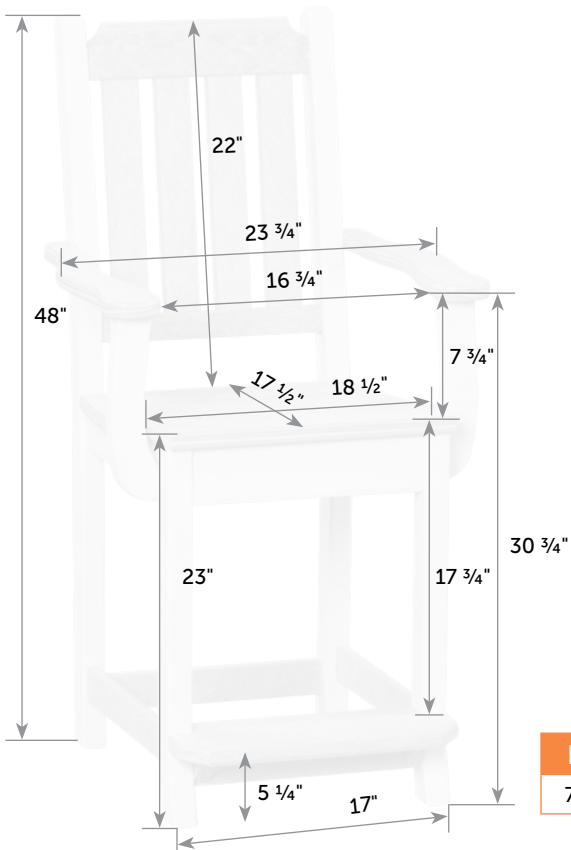
Keystone Counter Chair

750-PC *Catalog Pg. 71*

Box 24" x 27" x 49"



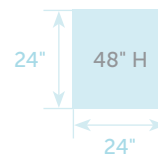
Item #	lbs	Zones	2	3	4	5	6	7	8
750-PC	35		91.60	99.16	105.86	117.98	129.14	141.62	156.68



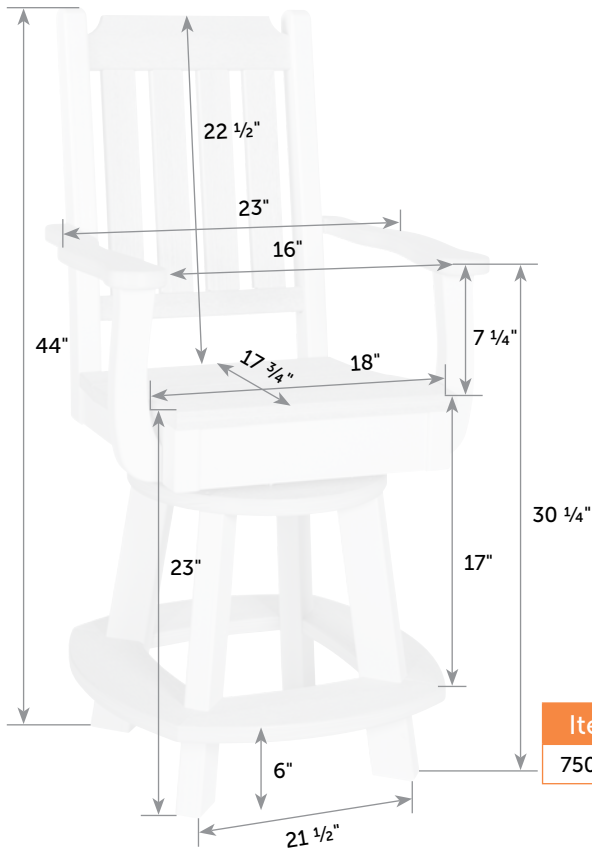
Keystone Counter Chair with Arms

750-PAC *Catalog Pg. 71*

Box 24" x 27" x 49"



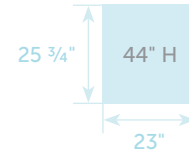
Item #	lbs	Zones	2	3	4	5	6	7	8
750-PAC	40		91.60	99.16	105.86	117.98	129.14	141.62	156.68



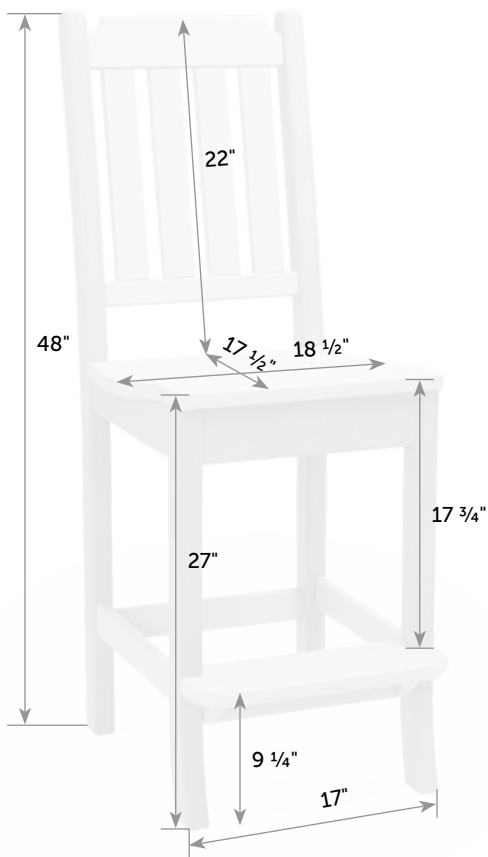
Keystone Swivel Counter Chair

750-PACS *Catalog Pg. 71*

Box 
24" x 27" x 44"



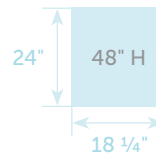
Item #	lbs	Zones	2	3	4	5	6	7	8
750-PACS	56		129.53	131.31	135.56	136.76	141.80	147.78	158.26



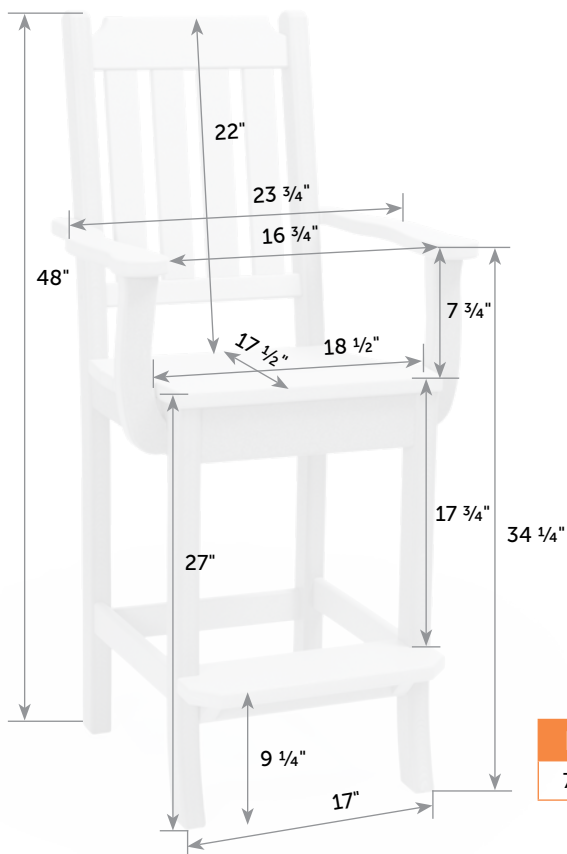
Keystone Bar Chair

750-PB *Catalog Pg. 73*

Box 24" x 27" x 49"



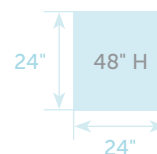
Item #	lbs	Zones	2	3	4	5	6	7	8
750-PB	35		91.60	99.16	105.86	117.98	129.14	141.62	156.68



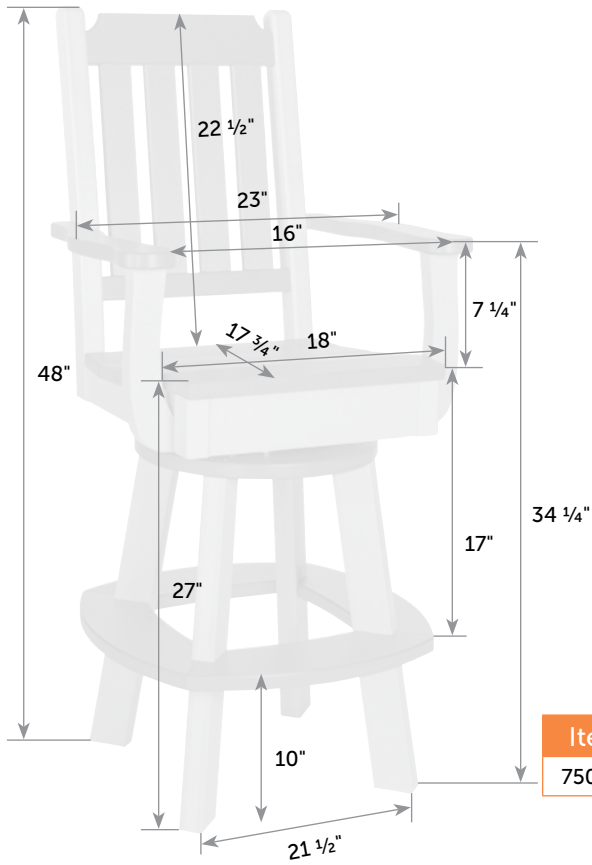
Keystone Bar Chair with Arms

750-PAB *Catalog Pg. 73*

Box 24" x 27" x 49"



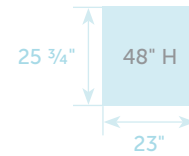
Item #	lbs	Zones	2	3	4	5	6	7	8
750-PAB	40		91.60	99.16	105.86	117.98	129.14	141.62	156.68



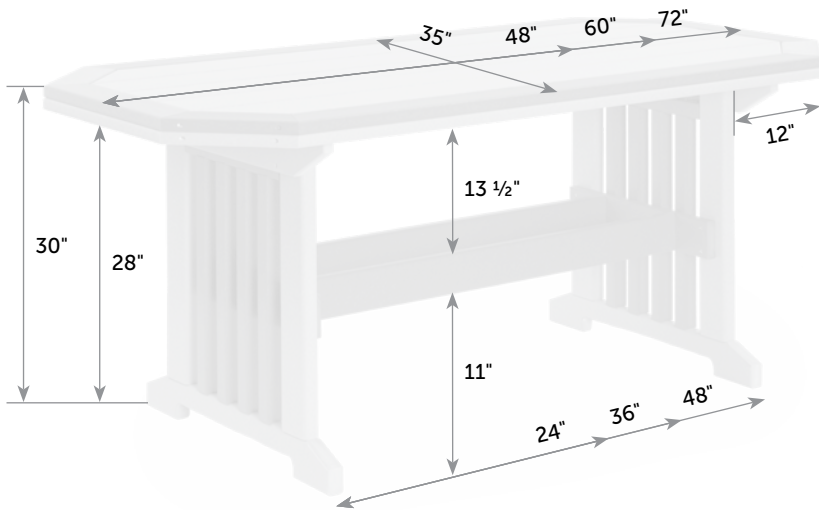
Keystone Swivel Bar Chair

750-PABS *Catalog Pg. 73*

Box 
24" x 27" x 49"



Item #	lbs	Zones	2	3	4	5	6	7	8
750-PABS	57		129.53	131.31	135.56	136.76	141.80	147.78	158.26



Mission Tables with Border

Catalog Pg. 77

100-PM

101-PM

Box



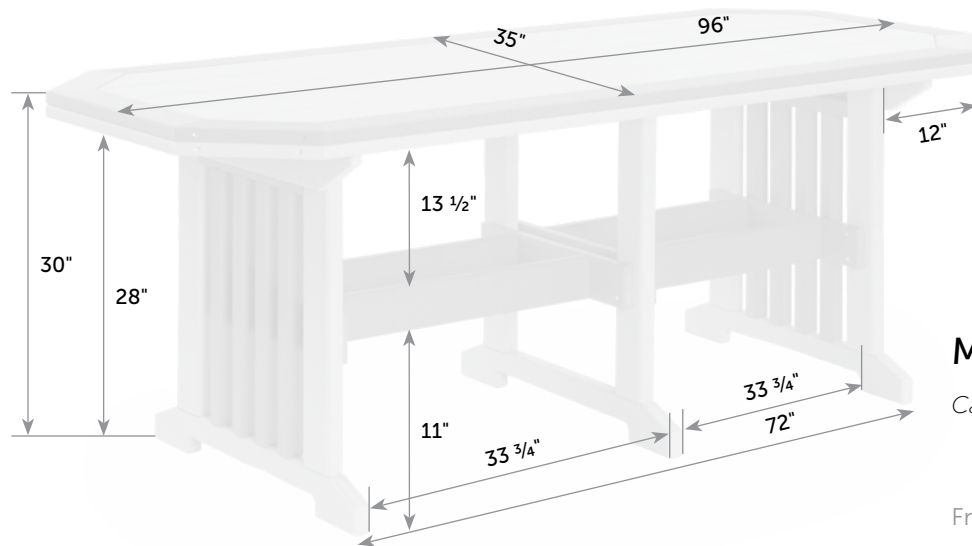
102-PM

36" x 8" x 48"

Freight



Item #	W x L	Lb.	Zones	2	3	4	5	6	7	8
100-PM	3' x 4'	115		117.04	117.37	120.46	123.54	130.09	135.54	141.34
101-PM	3' x 5'	125		209.00	240.00	240.00	246.00	297.00	297.00	359.00
102-PM	3' x 6'	135		209.00	240.00	240.00	246.00	297.00	297.00	359.00



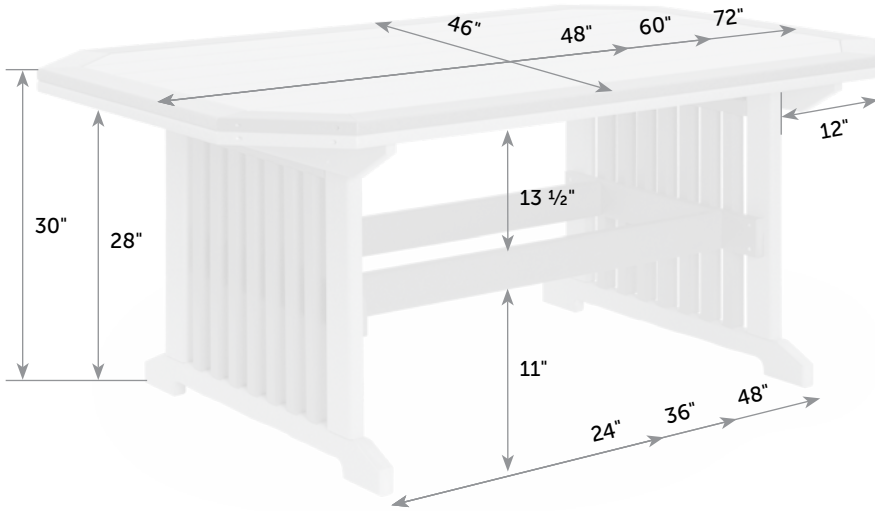
Mission Tables with Border

Catalog Pg. 77

Freight



Item #	W x L	Lb.	Zones	2	3	4	5	6	7	8
103-PM	3' x 8'	165		245.00	291.00	291.00	326.00	365.00	365.00	445.00



Mission Tables with Border

Catalog Pg. 77

104-PM

105-PM

106-PM

Box

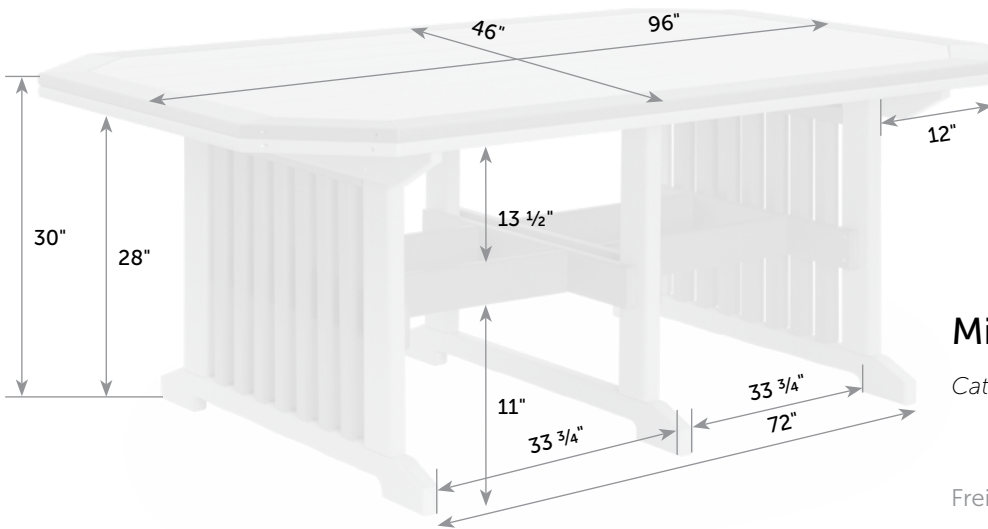


48" x 8" x 48"

Freight



Item #	W x L	Lb.	Zones	2	3	4	5	6	7	8
104-PM	4' x 4'	135		123.20	123.55	125.87	128.64	135.22	140.81	147.27
105-PM	4' x 5'	145		209.00	209.00	209.00	224.00	252.00	252.00	302.00
106-PM	4' x 6'	155		209.00	240.00	240.00	246.00	297.00	288.00	359.00



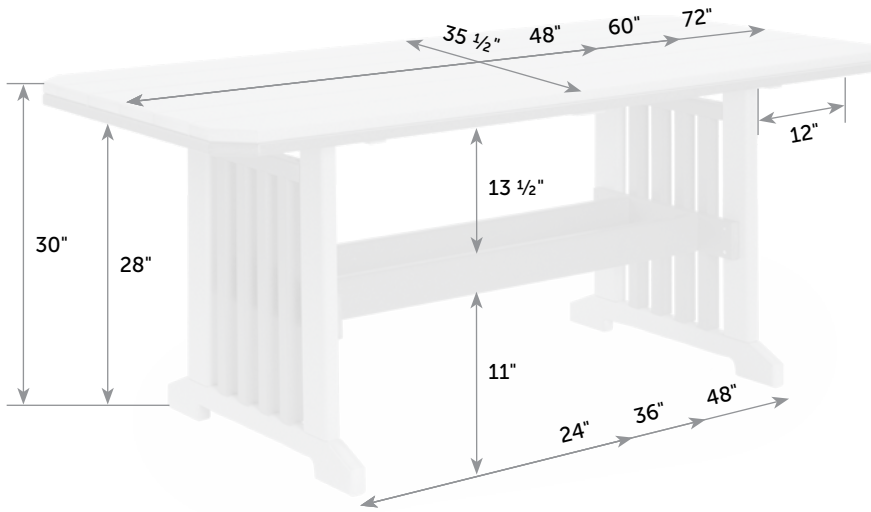
Mission Tables with Border

Catalog Pg. 77

Freight



Item #	W x L	Lb.	Zones	2	3	4	5	6	7	8
107-PM	4' x 8'	185		245.00	291.00	291.00	326.00	365.00	365.00	445.00



Mission Tables

Catalog Pg. 77

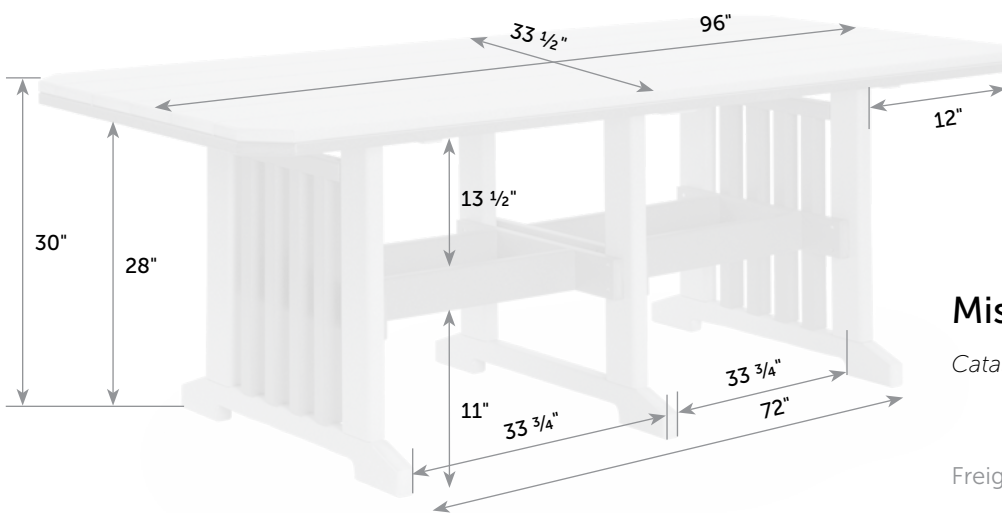
200-PM

Box 36" x 8" x 48"

201-PM
202-PM

Freight

Item #	W x L	Lb.	Zones	2	3	4	5	6	7	8
200-PM	3' x 4'	95		117.04	117.37	120.46	123.54	130.09	135.54	141.34
201-PM	3' x 5'	105		219.00	257.00	257.00	282.00	320.00	320.00	388.00
202-PM	3' x 6'	115		219.00	257.00	257.00	282.00	320.00	320.00	388.00

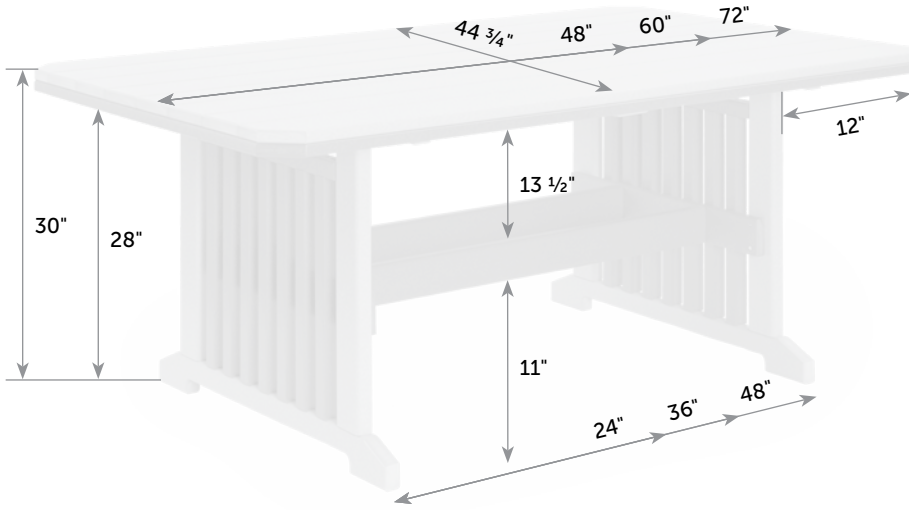


Mission Tables

Catalog Pg. 77

Freight

Item #	W x L	Lb.	Zones	2	3	4	5	6	7	8
203-PM	3' x 8'	145		258.00	308.00	308.00	339.00	388.00	388.00	472.00



Mission Tables

Catalog Pg. 77

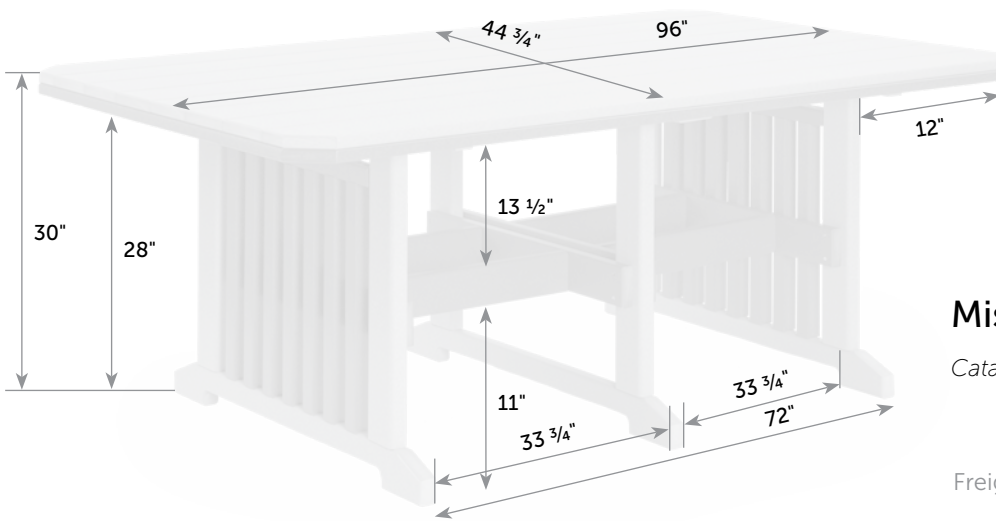
204-PM

Box 48" x 8" x 48"

205-PM
206-PM

Freight

Item #	W x L	Lb.	Zones	2	3	4	5	6	7	8
204-PM	4' x 4'	115		123.20	123.55	125.87	128.64	135.33	140.81	147.27
205-PM	4' x 5'	125		209.00	209.00	209.00	224.00	252.00	252.00	302.00
206-PM	4' x 6'	135		219.00	257.00	257.00	282.00	320.00	320.00	388.00

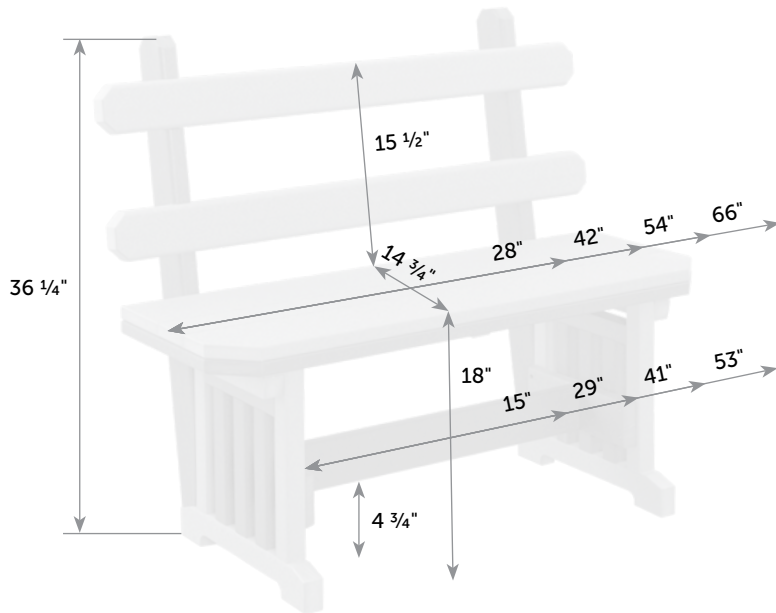


Mission Tables

Catalog Pg. 77

Freight

Item #	W x L	Lb.	Zones	2	3	4	5	6	7	8
207-PM	4' x 8'	165		258.00	308.00	308.00	339.00	388.00	388.00	472.00



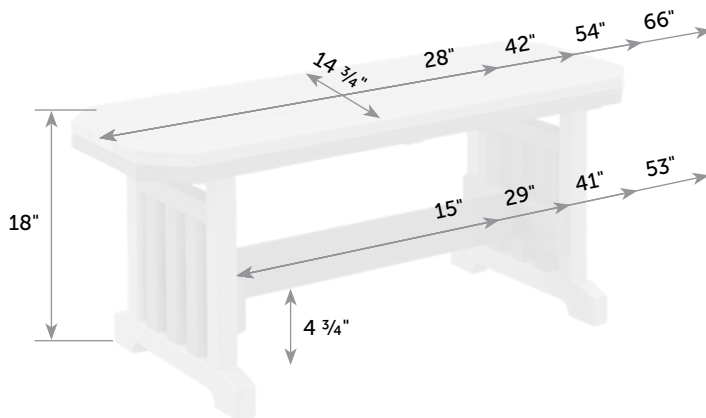
Mission Benches with Backs

Catalog Pg. 77



- 500-PM 17" x 7" x 29"
- 501-PM 17" x 7" x 43"
- 502-PM 17" x 7" x 55"
- 503-PM 17" x 7" x 67"

Item #	L	Lb.	Zones	2	3	4	5	6	7	8
500-PM	28"	45		27.17	30.71	33.86	48.40	45.17	51.45	56.15
501-PM	42"	60		28.30	32.08	35.43	41.48	47.07	53.31	60.84
502-PM	54"	70		30.28	35.10	38.29	43.98	50.12	55.54	63.46
503-PM	66"	80		44.62	48.00	50.46	56.50	63.17	70.34	73.00



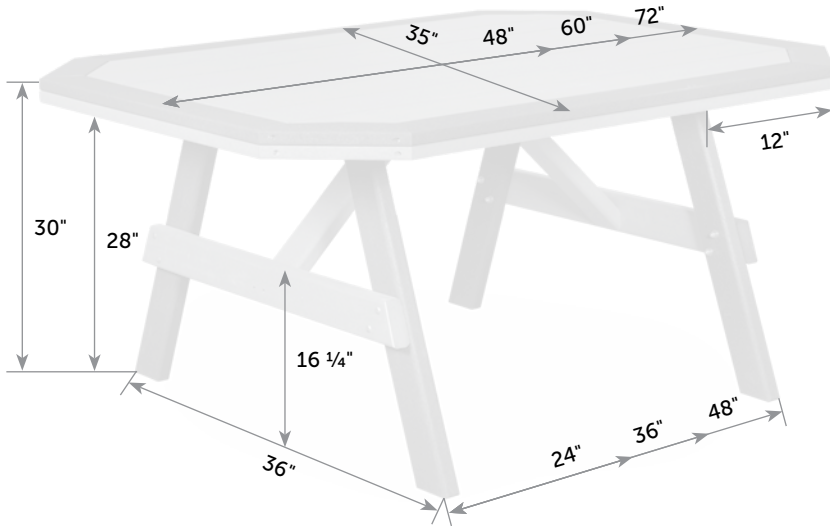
Mission Benches

Catalog Pg. 77



- 600-PM 17" x 7" x 29"
- 601-PM 17" x 7" x 43"
- 602-PM 17" x 7" x 55"
- 603-PM 17" x 7" x 67"

Item #	L	Lb.	Zones	2	3	4	5	6	7	8
600-PM	28"	30		24.62	26.43	27.65	30.32	34.87	38.38	43.20
601-PM	42"	40		24.92	27.89	29.85	33.48	39.29	43.74	49.17
602-PM	54"	47		26.17	29.71	32.86	37.40	45.17	50.45	55.15
603-PM	66"	55		35.80	39.58	42.93	48.99	54.57	60.81	68.34



Garden Tables with Border

Catalog Pg. 81

100-P

Box



36" x 6" x 48"

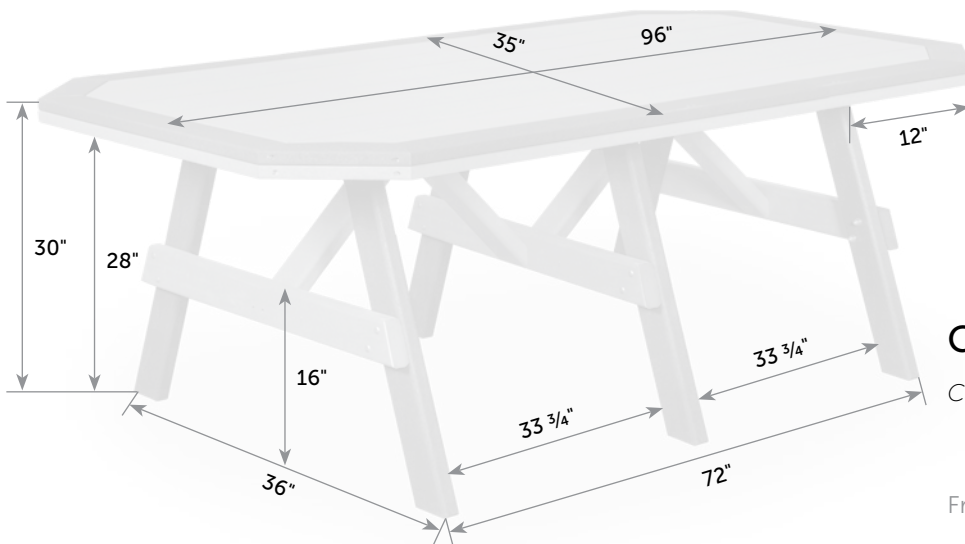
101-P

102-P

Freight



Item #	W x L	Lb.	Zones	2	3	4	5	6	7	8
100-P	3' x 4'	95		117.04	117.37	120.46	123.54	130.09	135.54	141.34
101-P	3' x 5'	105		209.00	240.00	240.00	246.00	297.00	288.00	359.00
102-P	3' x 6'	115		209.00	240.00	240.00	246.00	297.00	288.00	359.00



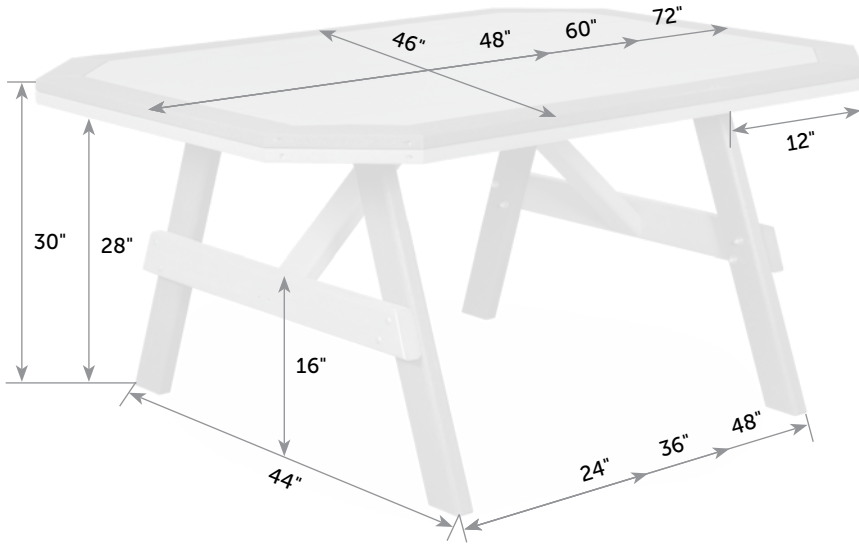
Garden Tables with Border

Catalog Pg. 81

Freight



Item #	W x L	Lb.	Zones	2	3	4	5	6	7	8
103-P	3' x 8'	145		245.00	291.00	291.00	326.00	365.00	365.00	445.00



Garden Tables with Border

Catalog Pg. 81

104-P

Box

48" x 6" x 48"



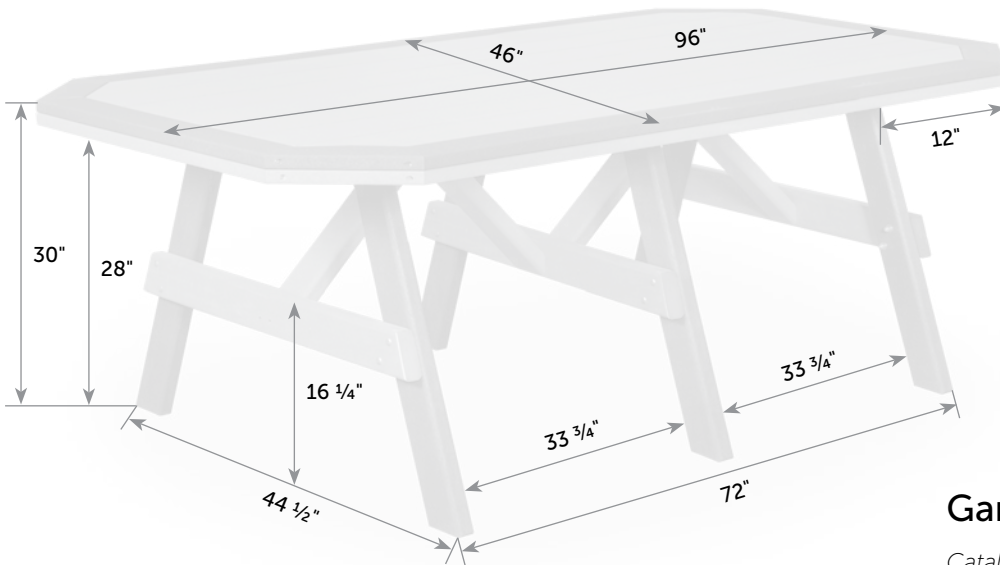
105-P

106-P

Freight



Item #	W x L	Lb.	Zones	2	3	4	5	6	7	8
104-P	4' x 4'	130		123.20	123.55	125.87	128.64	135.22	140.81	147.27
105-P	4' x 5'	140		209.00	209.00	209.00	224.00	252.00	252.00	302.00
106-P	4' x 6'	150		209.00	240.00	240.00	246.00	297.00	288.00	359.00



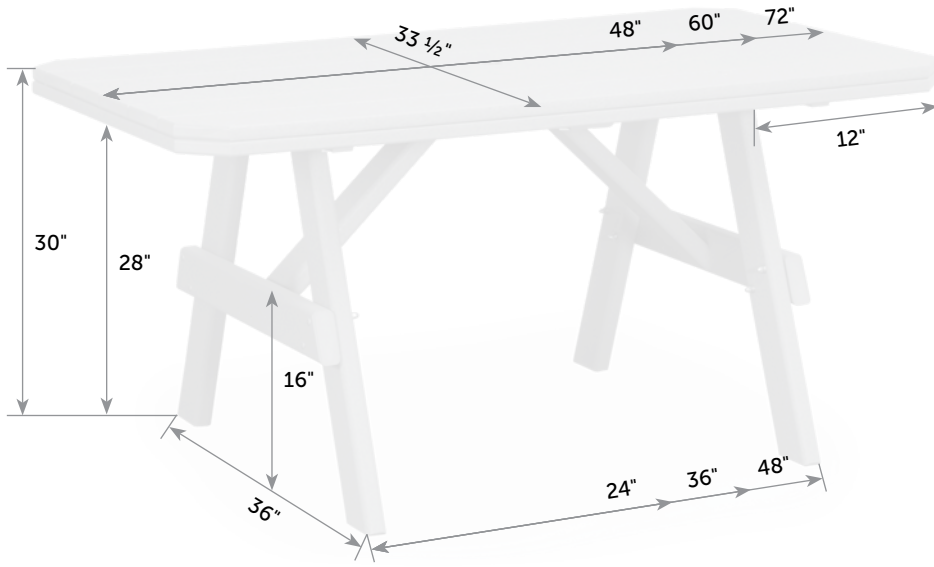
Garden Tables with Border

Catalog Pg. 81

Freight



Item #	W x L	Lb.	Zones	2	3	4	5	6	7	8
107-P	4' x 8'	180		245.00	291.00	291.00	326.00	365.00	365.00	445.00



Garden Tables

Catalog Pg. 81

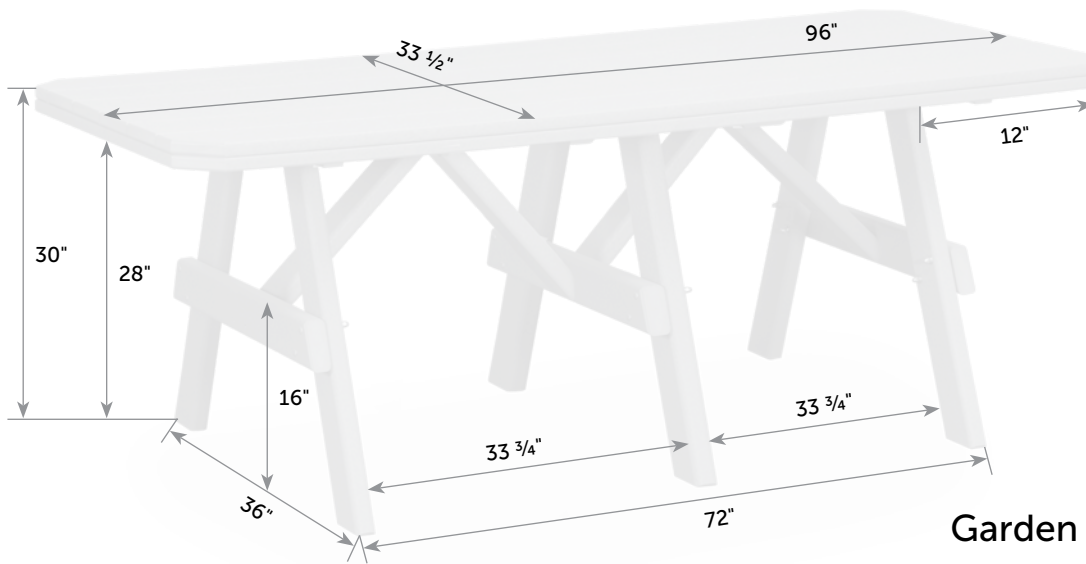
200-P

Box 
36" x 6" x 48"

201-P
202-P

Freight 

Item #	W x L	Lb.	Zones	2	3	4	5	6	7	8
200-P	3' x 4'	95		117.04	117.37	120.46	123.54	130.09	135.54	141.34
201-P	3' x 5'	105		219.00	257.00	257.00	282.00	320.00	320.00	388.00
202-P	3' x 6'	115		219.00	257.00	257.00	282.00	320.00	320.00	388.00

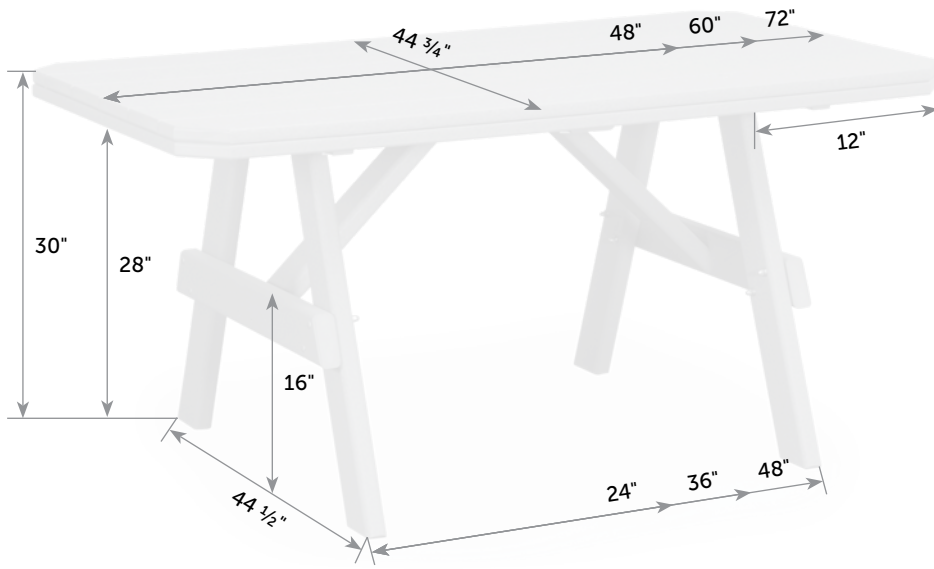


Garden Tables

Catalog Pg. 81

Freight 

Item #	W x L	Lb.	Zones	2	3	4	5	6	7	8
203-P	3' x 8'	145		258.00	308.00	308.00	339.00	388.00	388.00	472.00



Garden Tables

Catalog Pg. 81

104-P

Box



48" x 6" x 48"

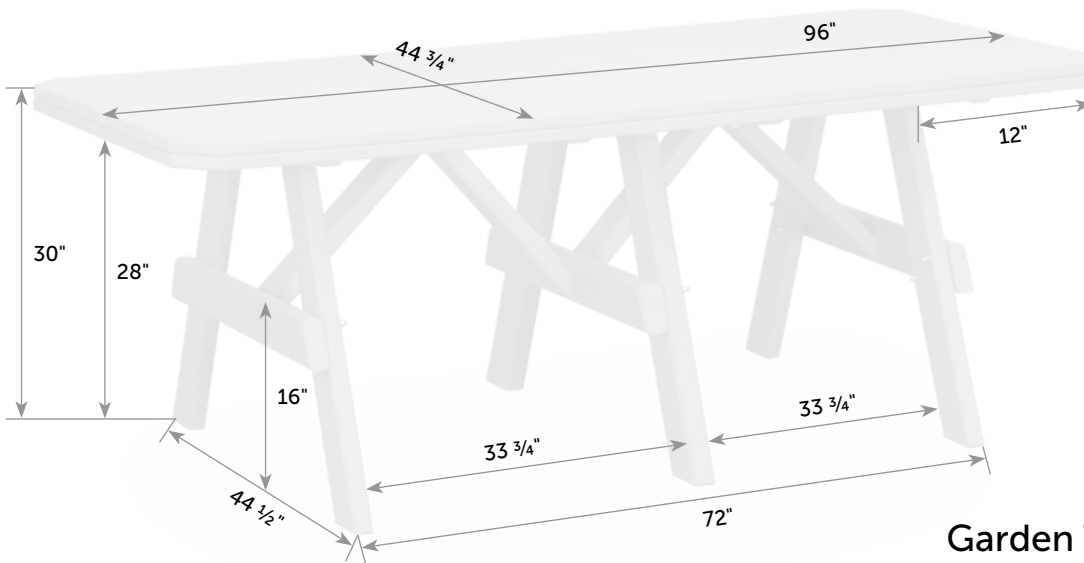
105-P

106-P

Freight



Item #	W x L	Lb.	Zones	2	3	4	5	6	7	8
204-P	4' x 4'	125		123.20	123.55	125.87	128.64	135.22	140.81	147.27
205-P	4' x 5'	135		209.00	209.00	209.00	224.00	252.00	252.00	302.00
206-P	4' x 6'	145		219.00	257.00	257.00	282.00	320.00	320.00	388.00



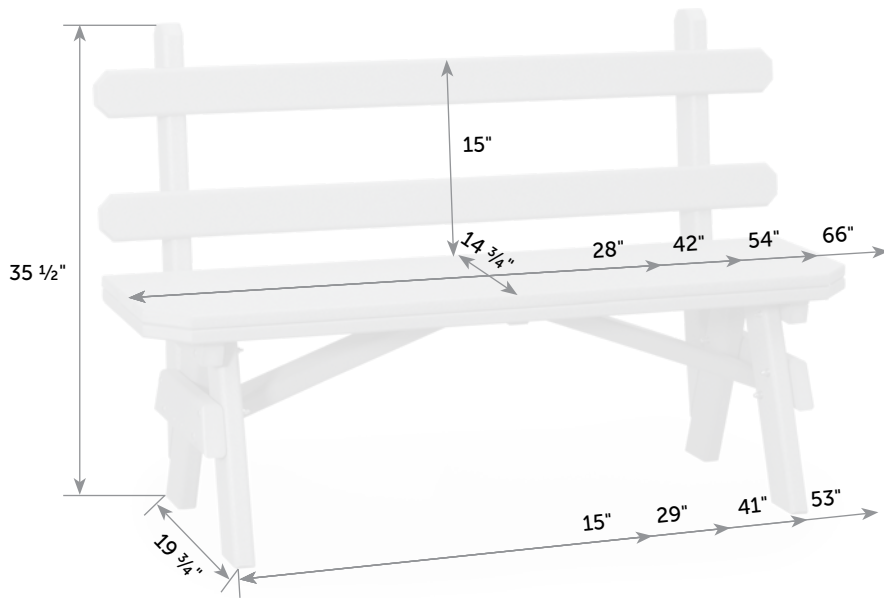
Garden Tables

Catalog Pg. 81

Freight



Item #	W x L	Lb.	Zones	2	3	4	5	6	7	8
207-P	4' x 8'	175		258.00	308.00	308.00	338.00	388.00	388.00	472.00



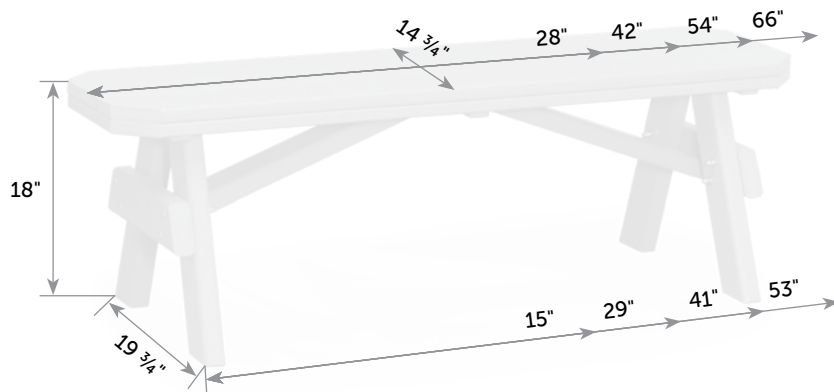
Garden Benches with Backs

Catalog Pg. 81



- 500-P 19" x 7" x 29"
- 501-P 19" x 7" x 43"
- 502-P 19" x 7" x 55"
- 503-P 19" x 7" x 67"

Item #	L	Lb.	Zones	2	3	4	5	6	7	8
500-P	28"	45		27.17	30.71	33.86	48.40	45.17	51.45	56.15
501-P	42"	60		28.30	32.08	35.43	41.48	47.07	53.31	60.84
502-P	54"	70		30.28	35.10	38.29	43.98	50.12	55.54	63.46
503-P	66"	80		44.62	48.00	50.46	56.50	63.17	70.34	73.00



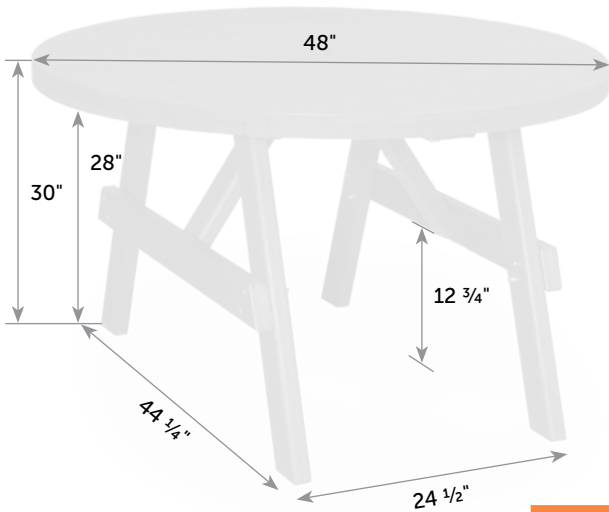
Garden Benches

Catalog Pg. 81



- 600-P 19" x 7" x 29"
- 601-P 19" x 7" x 43"
- 602-P 19" x 7" x 55"
- 603-P 19" x 7" x 67"

Item #	L	Lb.	Zones	2	3	4	5	6	7	8
600-P	28"	30		24.62	26.43	27.65	30.32	34.87	38.38	43.20
601-P	42"	40		24.92	27.89	29.85	33.48	39.29	43.74	49.17
602-P	54"	47		26.17	29.71	32.86	37.40	45.17	50.45	55.15
603-P	66"	55		35.80	39.58	42.93	48.99	54.57	60.81	68.34

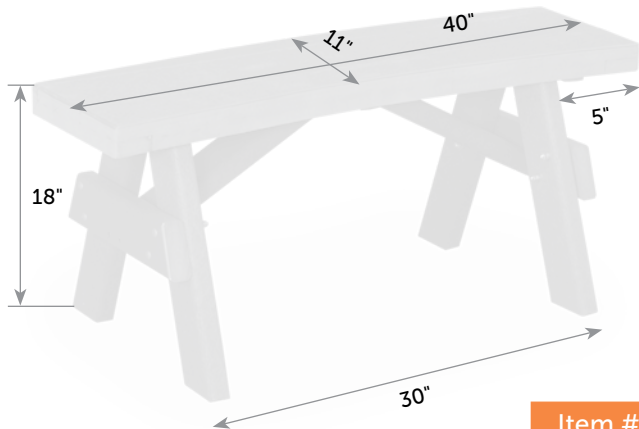


48" Round Garden Table

400-P *Catalog Pg. 81*

Box 48" x 6" x 48"

Item #	lbs	Zones	2	3	4	5	6	7	8
400-P	100		116.84	117.17	120.26	123.34	129.89	135.34	141.14

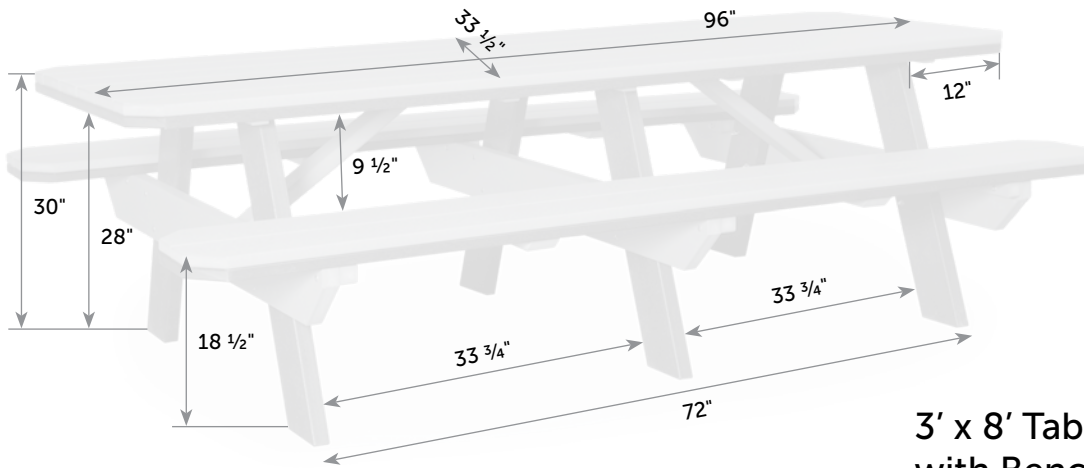


40" Curved Garden Bench

900-P *Catalog Pg. 81*

Box 19" x 7" x 41"

Item #	lbs	Zones	2	3	4	5	6	7	8
900-P	40		24.92	27.89	29.85	33.48	39.29	43.74	49.17

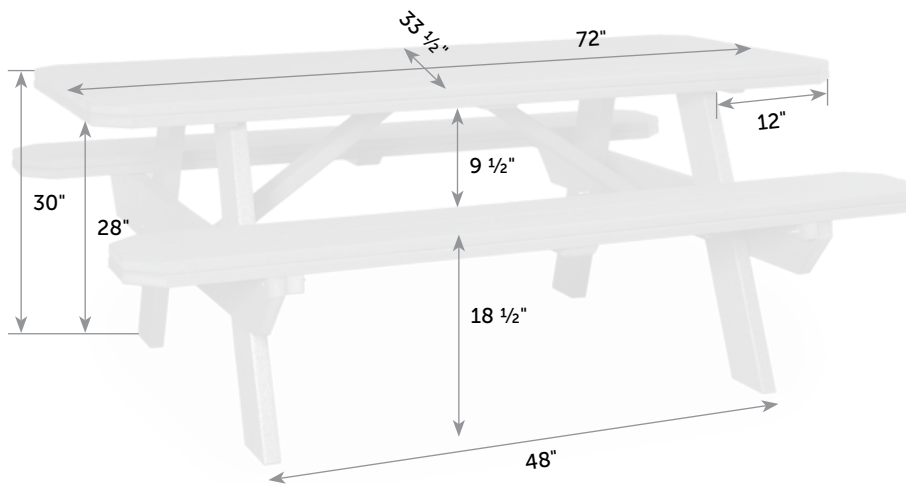


**3' x 8' Table
with Benches Attached**

Catalog Pg. 82

Freight

Item #	lbs	Zones	2	3	4	5	6	7	8
302-P	360		258.00	308.00	308.00	339.00	388.00	388.00	472.00

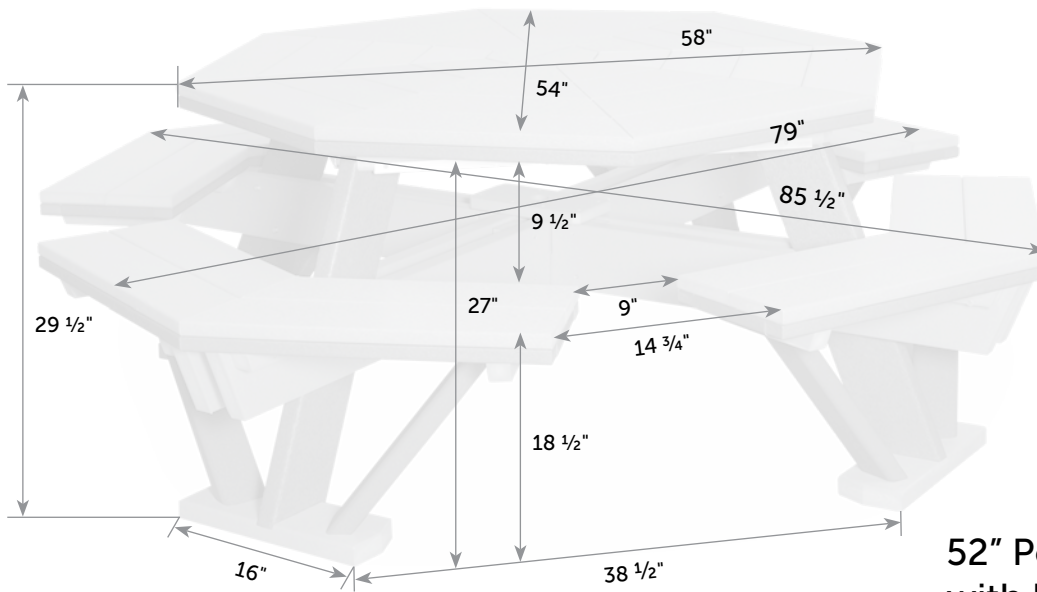


**3' x 6' Table
with Benches Attached**

Catalog Pg. 82

Freight

Item #	lbs	Zones	2	3	4	5	6	7	8
301-P	215		219.00	255.00	257.00	282.00	320.00	320.00	388.00



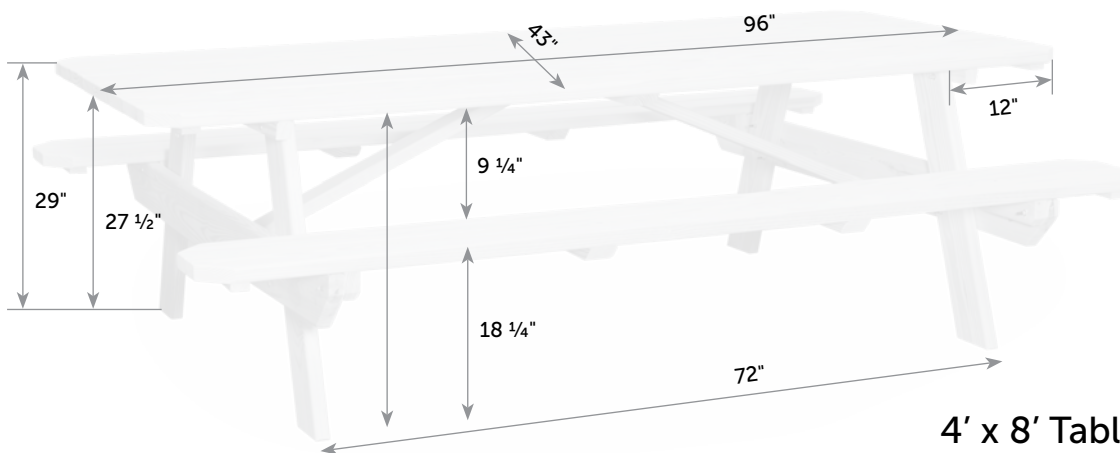
52" Poly Octagon Table with Benches Attached

Catalog Pg. 82

Freight



Item #	lbs	Zones	2	3	4	5	6	7	8
303-P	360		268.00	334.00	334.00	395.00	455.00	455.00	535.00



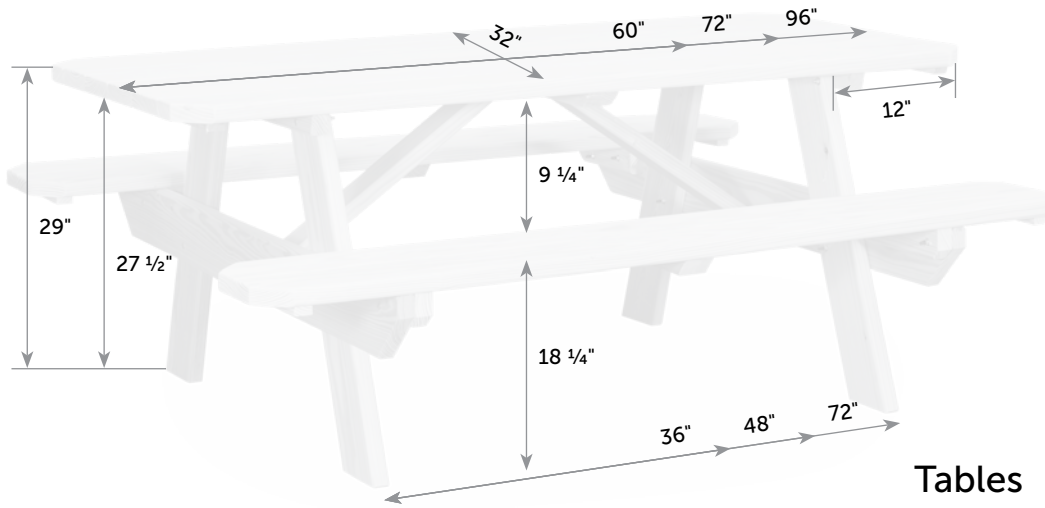
4' x 8' Table with Benches Attached

Catalog Pg. 83

Freight



Item #	lbs	Zones	2	3	4	5	6	7	8
303	275		258.00	308.00	308.00	339.00	388.00	388.00	472.00

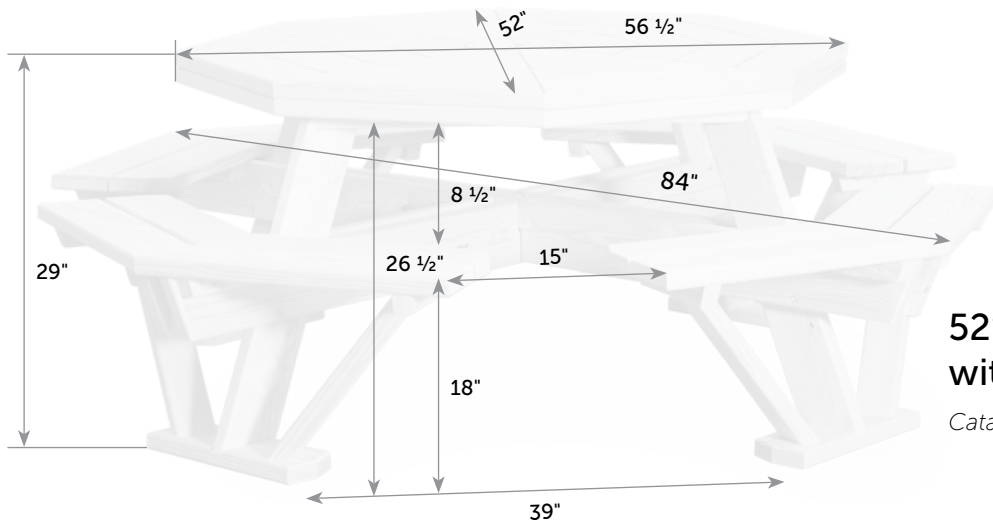


Tables with Benches Attached

Catalog Pg. 83

Freight

Item #	W x L	Lb.	Zones	2	3	4	5	6	7	8
300	3' x 5'	140		209.00	209.00	209.00	224.00	252.00	252.00	302.00
301	3' x 6'	173		219.00	257.00	257.00	282.00	320.00	320.00	388.00
302	3' x 8'	230		258.00	308.00	308.00	339.00	388.00	388.00	472.00

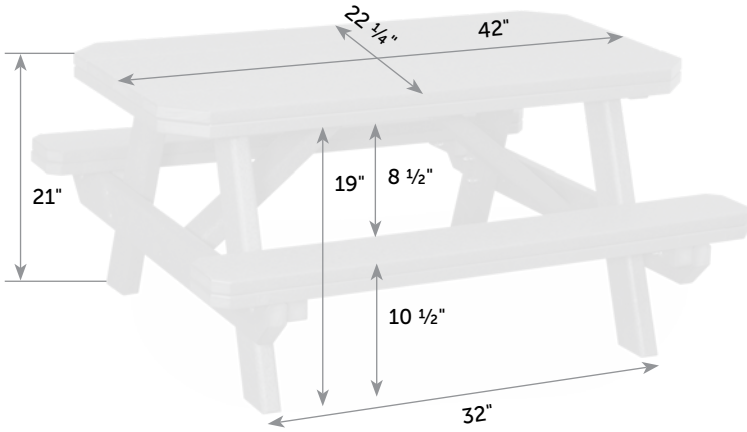


52" Octagon Table with Benches Attached

Catalog Pg. 83

Freight

Item #	lbs	Zones	2	3	4	5	6	7	8
403	276		268.00	334.00	334.00	395.00	455.00	455.00	535.00

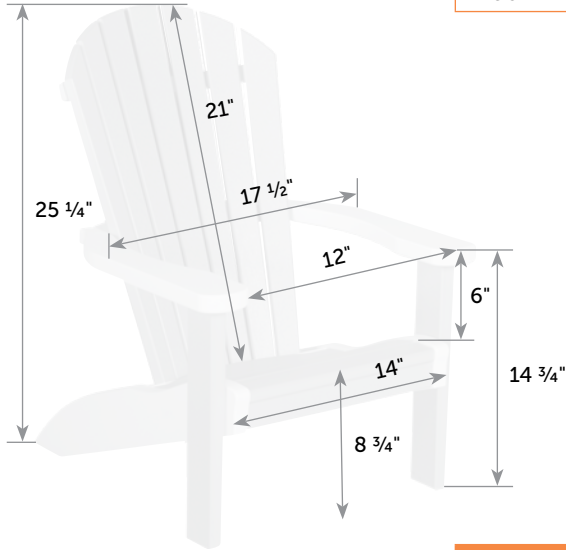


Child's Table with Benches

901-P *Catalog Pg. 85*

Box 25" x 7" x 46"

Item #	lbs	Zones	2	3	4	5	6	7	8
901-P	70		30.28	35.10	38.29	43.98	50.12	55.54	63.46

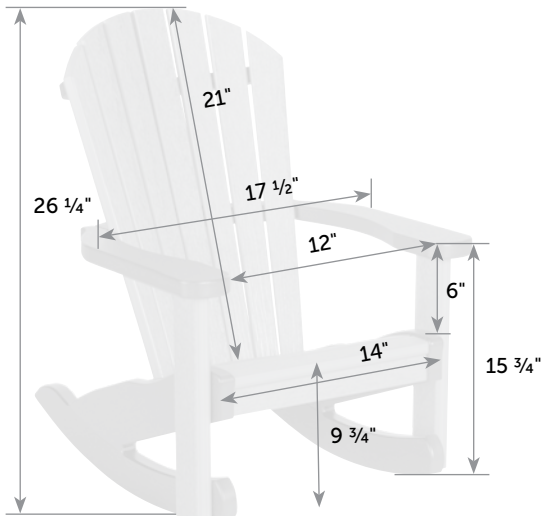


SeaAira Child's Chair

907-P *Catalog Pg. 85*

Box 16" x 7" x 27"

Item #	lbs	Zones	2	3	4	5	6	7	8
907-P	15		18.25	18.84	19.04	20.23	22.05	24.85	26.64

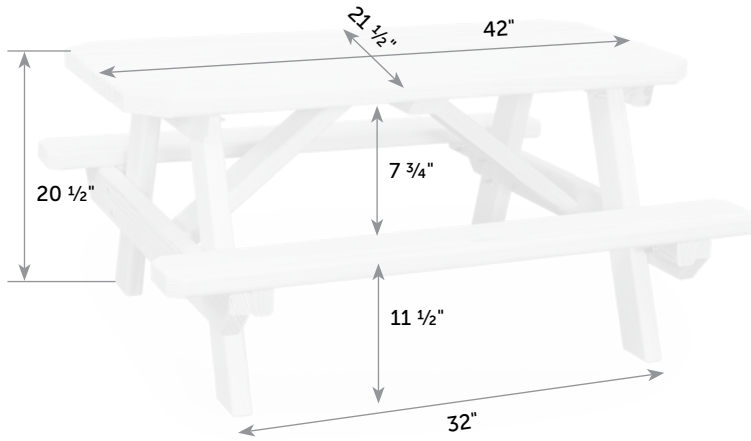


SeaAira Child's Rocker

904-P *Catalog Pg. 85*

Box 16" x 7" x 27"

Item #	lbs	Zones	2	3	4	5	6	7	8
904-P	15		18.25	18.84	19.04	20.23	22.05	24.85	26.64

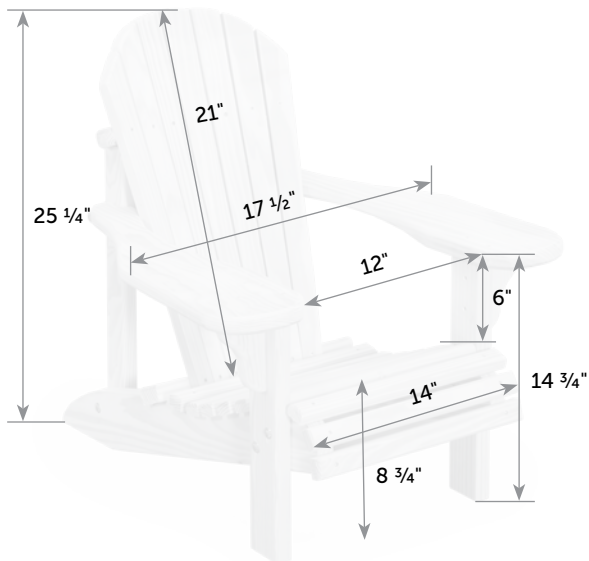


Child's Table with Benches

901 *Catalog Pg. 85*

Box 
25" x 7" x 46"

Item #	lbs	Zones	2	3	4	5	6	7	8
901	67		30.28	35.10	38.29	43.98	50.12	55.54	63.46

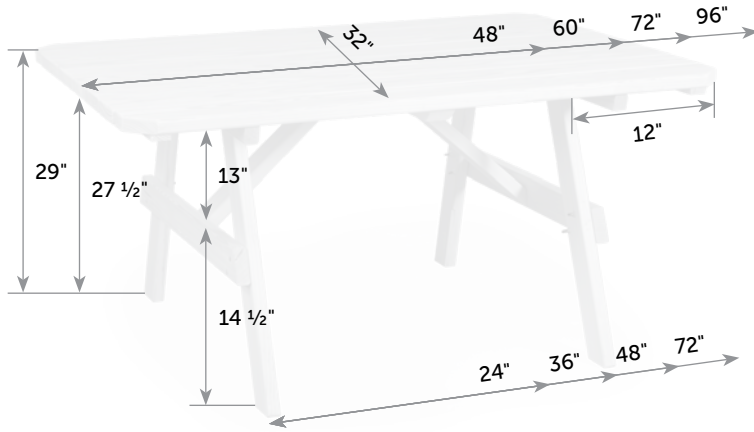


Child's Adirondack Chair

907 *Catalog Pg. 85*

Box 
16" x 7" x 27"

Item #	lbs	Zones	2	3	4	5	6	7	8
907	15		18.25	18.84	19.04	20.23	22.05	24.85	26.64

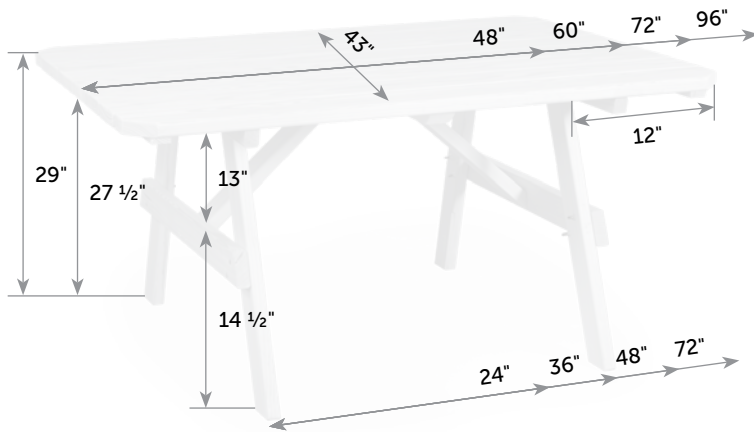


Plain Tables

Catalog Pg. 87

200
 Box 36" x 6" x 48"
 201
 202
 203
 Freight

Item #	W x L	Lb.	Zones	2	3	4	5	6	7	8
200	3' x 4'	60		94.66	99.15	101.16	107.61	113.27	119.35	127.02
201	3' x 5'	82		219.00	257.00	257.00	282.00	320.00	320.00	388.00
202	3' x 6'	102		219.00	257.00	257.00	282.00	320.00	320.00	388.00
203	3' x 8'	145		258.00	308.00	308.00	339.00	388.00	388.00	472.00

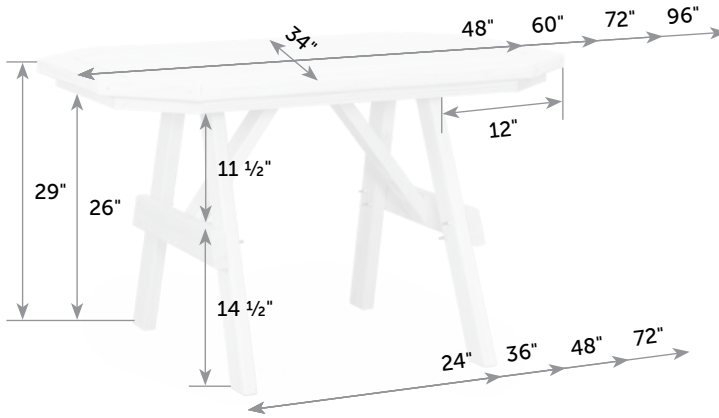


Plain Tables

Catalog Pg. 87

204
 Box 48" x 6" x 48"
 205
 206
 207
 Freight

Item #	W x L	Lb.	Zones	2	3	4	5	6	7	8
204	4' x 4'	85		109.41	111.10	113.79	117.90	125.06	132.65	135.15
205	4' x 5'	106		209.00	209.00	209.00	224.00	252.00	252.00	302.00
206	4' x 6'	122		219.00	257.00	257.00	282.00	320.00	320.00	388.00
207	4' x 8'	155		258.00	308.00	308.00	339.00	388.00	388.00	472.00



Border Tables

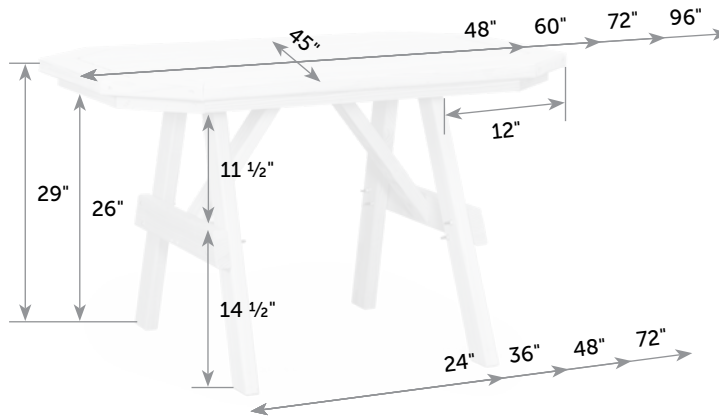
Catalog Pg. 87

100
101
102
103

Box 36" x 6" x 48"

Freight

Item #	W x L	Lb.	Zones	2	3	4	5	6	7	8
100	3' x 4'	87		106.51	111.10	113.79	117.90	125.06	132.65	135.15
101	3' x 5'	96		209.00	240.00	240.00	246.00	297.00	288.00	359.00
102	3' x 6'	106		209.00	240.00	240.00	246.00	297.00	288.00	359.00
103	3' x 8'	125		245.00	291.00	291.00	326.00	365.00	365.00	445.00



Border Tables

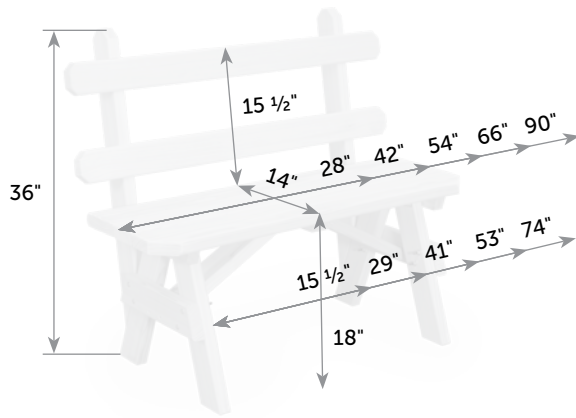
Catalog Pg. 87

204
205
206
207

Box 48" x 6" x 48"

Freight

Item #	W x L	Lb.	Zones	2	3	4	5	6	7	8
104	4' x 4'	105		123.10	123.45	125.77	128.54	135.12	140.71	147.17
105	4' x 5'	122		209.00	209.00	209.00	224.00	252.00	252.00	302.00
106	4' x 6'	140		209.00	240.00	240.00	246.00	297.00	288.00	359.00
107	4' x 8'	175		245.00	291.00	291.00	326.00	365.00	365.00	445.00



Extra-Wide Benches with Backs

Catalog Pg. 87



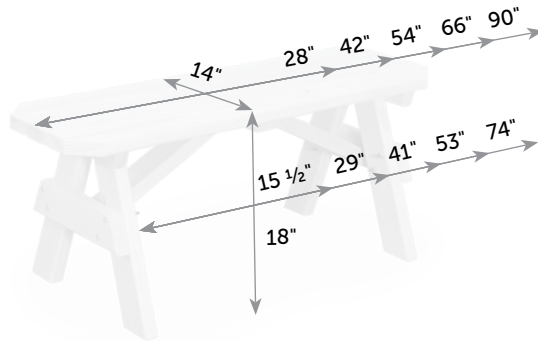
- 500 19" x 7" x 29"
- 501 19" x 7" x 43"
- 502 19" x 7" x 55"
- 503 19" x 7" x 67"

504

Freight



Item #	L	Lb.	Zones	2	3	4	5	6	7	8
500	28"	40		26.77	30.14	32.55	36.65	43.29	48.57	52.89
501	42"	45		27.17	30.71	33.86	38.40	45.17	51.45	56.15
502	54"	57		28.30	32.08	35.43	41.49	47.07	53.31	60.84
503	66"	65		38.78	43.60	46.79	52.48	58.62	64.04	71.96
504	90"	88		209.00	209.00	209.00	224.00	252.00	252.00	302.00



Extra-Wide Benches

Catalog Pg. 87



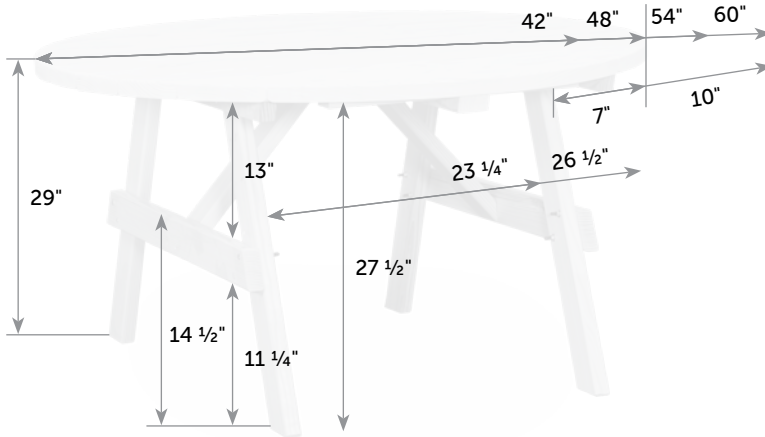
- 600 19" x 7" x 29"
- 601 19" x 7" x 43"
- 602 19" x 7" x 55"
- 603 19" x 7" x 67"

604

Freight



Item #	L	Lb.	Zones	2	3	4	5	6	7	8
600	28"	28		23.62	25.43	26.65	29.32	33.87	37.38	42.20
601	42"	34		24.06	26.54	28.11	31.24	36.38	40.24	45.85
602	54"	40		25.77	29.14	31.55	35.65	42.29	47.57	51.89
603	66"	46		34.67	38.21	41.36	45.90	52.67	58.95	63.65
604	90"	62		209.00	209.00	209.00	224.00	252.00	252.00	302.00



Round Tables

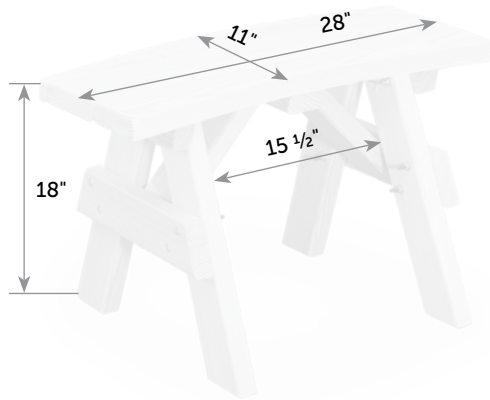
Catalog Pg. 89

Box
 399 43" x 6" x 43"
 400 48" x 6" x 48"

401
 402

Freight

Item #	L	Lb.	Zones	2	3	4	5	6	7	8
399	42"	70	Zones	94.78	99.60	102.79	108.48	114.62	120.04	127.96
400	48"	90		109.31	111.00	113.69	117.80	124.96	132.55	135.05
401	54"	105		209.00	209.00	209.00	224.00	252.00	252.00	302.00
402	60"	120		209.00	209.00	209.00	224.00	252.00	252.00	302.00

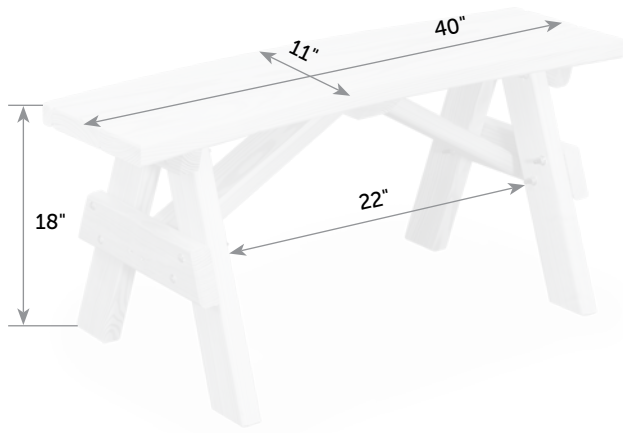


28" Curved Bench

899 Catalog Pg. 89

Box
 19" x 7" x 29"

Item #	lbs	Zones	2	3	4	5	6	7	8
899	22	Zones	23.62	25.43	26.65	29.32	33.87	37.38	42.20



40" Curved Bench

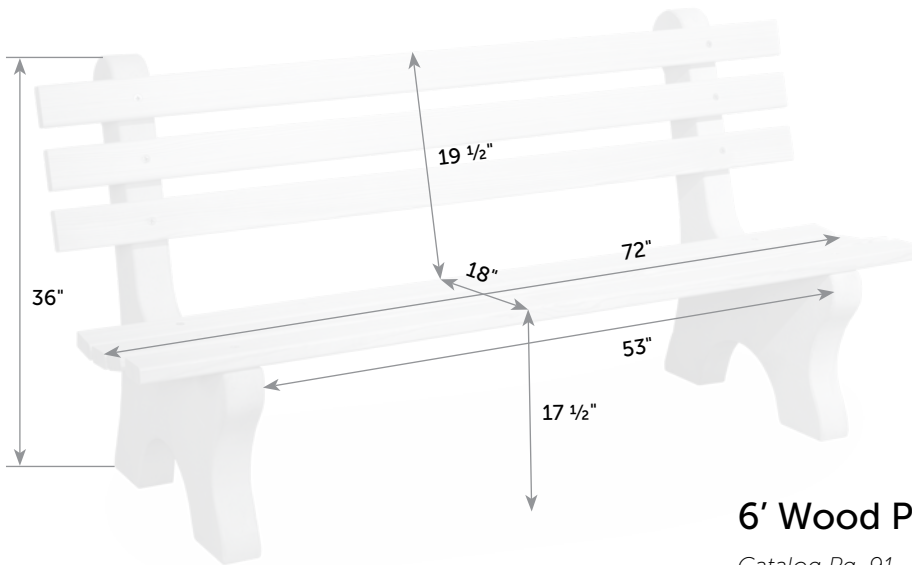
900 *Catalog Pg. 89*

Box 
19" x 7" x 41"

Item #	lbs	Zones	2	3	4	5	6	7	8
900	30		24.06	26.54	28.11	31.24	36.38	40.24	45.85



Custom engraving is available for all poly and wood products.

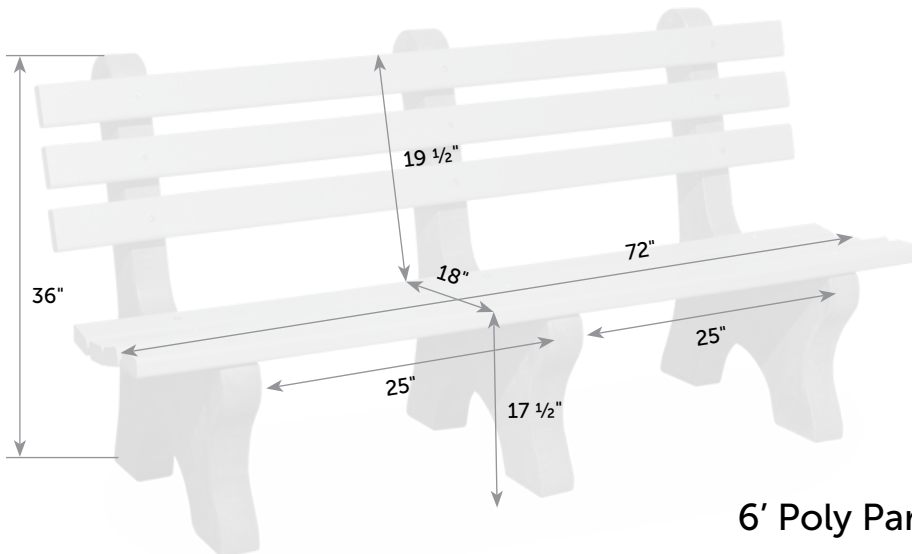


6' Wood Park Bench

Catalog Pg. 91

Freight

Item #	lbs	Zones	2	3	4	5	6	7	8
905	255		277.00	334.00	334.00	395.00	455.00	455.00	535.00

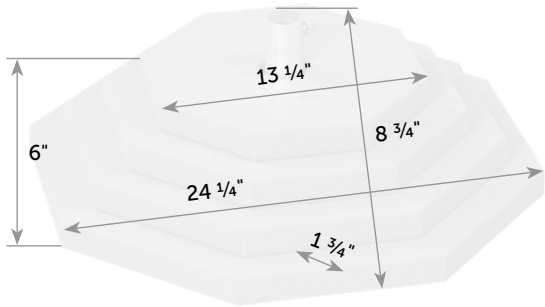


6' Poly Park Bench

Catalog Pg. 91

Freight

Item #	lbs	Zones	2	3	4	5	6	7	8
905-P	386		277.00	334.00	334.00	395.00	455.00	455.00	535.00

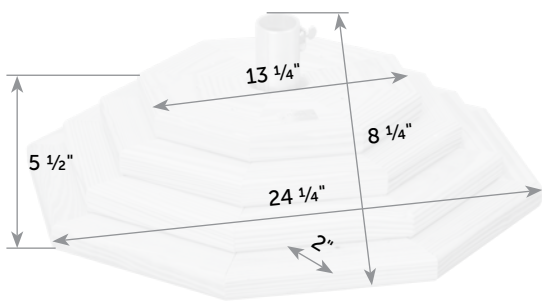


Poly Umbrella Base

917-P *Catalog Pg. 93*

Box 25" x 6" x 25"

Item #	lbs	Zones	2	3	4	5	6	7	8
903	44		23.77	27.14	29.55	33.65	40.29	45.27	49.89

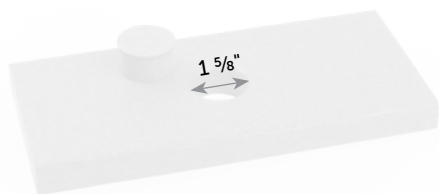


Wood Umbrella Base

917 *Catalog Pg. 93*

Box 25" x 6" x 25"

Item #	lbs	Zones	2	3	4	5	6	7	8
917	30		21.58	23.59	25.02	27.85	32.55	36.15	41.24

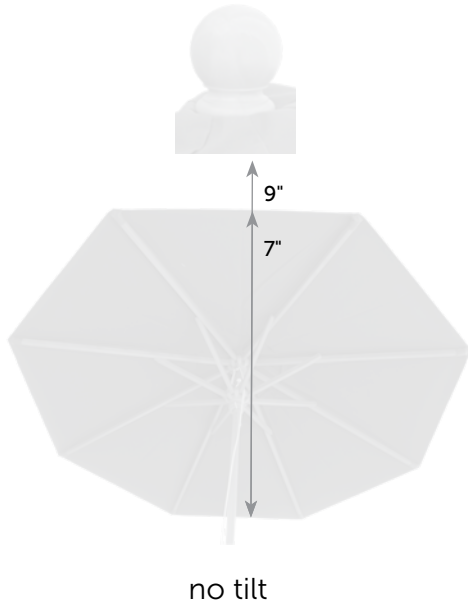


Poly Umbrella Hole Plug

898 *Catalog Pg. 93*

USPS

Item #	lbs	Zones	2	3	4	5	6	7	8
898	<1		2.50	2.50	2.50	2.50	2.50	2.50	2.50

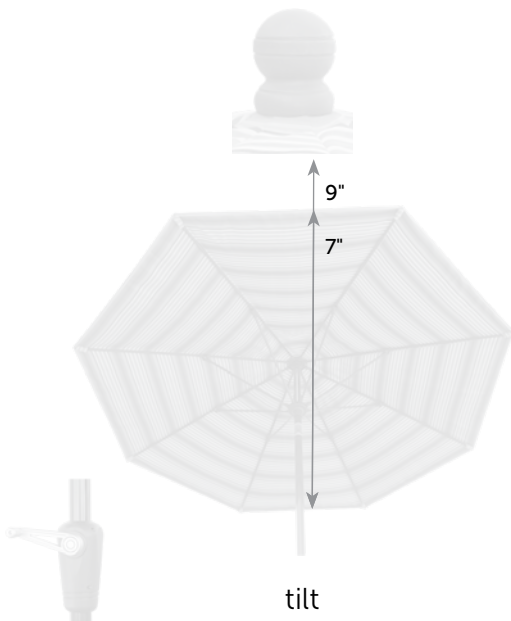


Wooden Frame 7' or 9' *Catalog Pg. 93*



UW7 7" x 7" x 59"
UW9 9" x 9" x 59"

Item #	lbs	Zones	2	3	4	5	6	7	8
UW7	20		14.82	16.07	16.30	18.33	21.03	42.30	26.86
UW9	30		25.12	26.93	28.15	30.82	35.37	38.88	43.70



Aluminum Frame 7' or 9' *Catalog Pg. 93*



UA7 7" x 7" x 59"
UA9 7" x 7" x 72"

Item #	lbs	Zones	2	3	4	5	6	7	8
UA7	15		22.75	23.34	23.54	24.73	26.55	29.35	31.14
UA9	25		32.43	34.04	34.74	37.02	40.69	44.11	47.70



PRODUCT CARE

Finch furniture never needs to be painted or stained because it is built with recycled plastic that will not rot or splinter. The color will never wear off because it is embedded throughout the product. A UV protective agent keeps fading to a minimum. Poly furniture is not affected by most corrosive substances, and will not promote bacterial growth.

Cleaning is easy. Most dirt wipes away with nonabrasive soap and water or a soft bristle brush. Light colors may need to be cleaned more often than dark colors. In extreme situations, spray the furniture with nonabrasive cleaner and wash it using a high-pressure washer. Do not place the tip of the pressure washer closer than 8" – 12" from the furniture or it may damage the poly lumber.

Flower pot residue should be removed regularly to prevent staining. To avoid melting, do not place hot items directly onto the furniture.

All fasteners on Finch furniture are 316 grade stainless steel. This high grade stainless steel will not rust in a normal outdoor environment. If your furniture is heavily exposed to saltwater, occasionally rinse it with fresh water to maintain a rust-free surface.

All fasteners should be checked periodically for tightness.

Simple cleaning is all you need to do to enjoy beautiful Finch furniture for many years!

WARRANTY

Finch warrants to the original consumer purchaser that this polyethylene patio furniture product is free of defects in workmanship and materials. The warranty period is twenty (20) years of residential use and five (5) years of commercial use, with exceptions on certain parts as explained below, from the date of sale. This warranty does not cover damage caused by unauthorized service or repair; alteration or abuse, normal wear and tear on materials, or any attempt to use the product in a manner or for a purpose other than for which it is intended. Finch will repair or, at its option, replace the defective product without charge. Should Finch choose to replace the product, and the product is discontinued, a substitute product of similar function and equal or greater value will be made.

Polyethylene may scratch during normal use, fade slightly from exposure to sunlight, or stain after prolonged contact with other substances. These conditions are not defects and are not covered under this warranty.

Stainless steel fasteners are warranted to not fail structurally for the applicable warranty period if maintained according to the Care and Maintenance document. Swivels are warranted to not fail structurally for five (5) years of residential use. This warranty does not cover rusted fasteners and swivels, or structural failure due to rusted fasteners and swivels, resulting from improper maintenance. Cushions are warranted for a period of one (1) year of residential use. Compression of cushions is not considered a defect.

Finch makes no warranties other than those which are expressly described herein. Finch extends no implied warranty of merchantability or of fitness for a particular purpose, and disclaims all liability for indirect or consequential damages, including, but not limited to, lost profits or other economic or commercial losses. Some states do not allow the exclusion or limitation of indirect or consequential damages; therefore, the above limitation may not apply to you. The sole remedy provided in this warranty is repair or replacement of this product. Any cost of shipping and handling will be paid by you.

To file a warranty claim, contact your local dealer or Finch at 139-A Colonial Road, Gordonville, PA 17529; Fax: 717-768-3315.

Your claim must explain the nature of the defect and include your name, address, and telephone number. This warranty gives you specific legal rights and you may have other rights which vary from state to state. As defined by federal law, this is a limited warranty.



ABOUT

For a brand that started out as an industrial-grade awning fabric in only six colors, Sunbrella fabrics have come a long way. From awnings to marine to casual furniture, Sunbrella fabrics have led the industry with extensive styles and colors while providing unparalleled performance. In the early 1990s Sunbrella unveiled its softer side with stunning fabrics targeted at the interior design trade and now available in design showrooms across the country. Today, Sunbrella is used in a variety of innovative new products that offer creative solutions for consumers and the design community.

PRODUCT CARE

Outdoor Upholstery

Cleaning Removable Fabric

Hand Washing

Soak fabric in a solution of ¼ cup mild soap per gallon of lukewarm water. Use a sponge or very soft bristle brush to lightly agitate the stain. Then rinse thoroughly to remove all soap residue, and allow fabric to air dry.

Machine washing

Some removable casings can be washed in the washing machine, however consult the furniture manufacturer before removing the casing as cushion construction may vary. To wash, first close all zippers. Machine wash in cold water on the delicate cycle with normal amounts of mild laundry detergent. For severe mold or mildew, add 1 cup of bleach. Allow fabric to air dry.

Cleaning Non-Removable Fabric

Prepare a solution of ¼ cup mild soap per gallon of lukewarm water. Use a soft bristle brush to clean, allowing the cleaning solution to soak into the fabric. Rinse thoroughly to remove all soap residue and allow fabric to air dry.

Mold and mildew stains

Sunbrella fabrics do not promote mildew growth, however, mildew may grow on dirt and other foreign substances if not removed from the fabric. To remove mold or mildew:

- Prepare a solution of 1 cup of bleach and ¼ cup mild soap per gallon of water.
- Spray on entire area and allow to soak into the fabric for 15 minutes.
- Clean entire surface area with a sponge, clean towel or very soft bristle brush.
- Rinse to remove all soap residue.
- Air dry.

For severe mold/mildew growth, bleach quantities may be increased.

It is best to clean the entire surface area of the fabric to avoid water rings and stains.

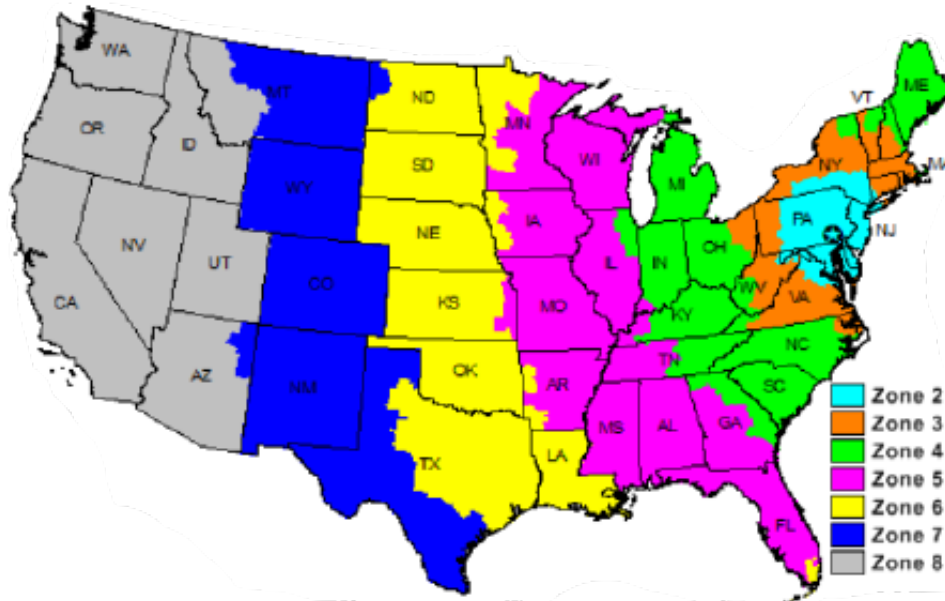
For information on cleaning other popular stains, see our Stain Chart. www.sunbrella.com/stainchart

WARRANTY

Sunbrella fabric's 10-year limited warranty for awning and marine fabric and 5-year limited warranty for furniture fabric are the best in the industry.

	Installation Prior to 11/1/2008	Installation After 11/1/2008
Sunbrella Awning and Marine Canvas	5 years	10 years
Sunbrella Furniture Fabrics and all other		
Sunbrella Fabrics	3 years	5 years

FedEx® SHIPPING ZONES



Contiguous U.S.											
Destination ZIP	Zone	Destination ZIP	Zone	Destination ZIP	Zone	Destination ZIP	Zone	Destination ZIP	Zone	Destination ZIP	Zone
000-004	NA	254	2	428-429	NA	632	NA	795-796	6	988-994	8
005	2	255-257	4	430-438	4	633-641	5	797-816	7		
010-024	3	258-266	3	439-447	3	642-643	NA	817-819	NA		
025-026	4	267	2	448-475	4	644-658	5	820-831	7		
027-034	3	268	3	476-477	5	659	NA	832-838	8		
035	4	269	NA	478-497	4	660-662	5	839	NA		
036-037	3	270-278	4	498-509	5	663	NA	840-847	8		
038-049	4	279	3	510-512	6	664-666	6	848-849	NA		
050-055	3	280-299	4	513-514	5	667	5	850	8		
056	4	300-303	5	515	6	668-681	6	851	8		
057	3	304-309	4	516	5	682	NA	852-853	8		
058-059	4	310-312	5	517-519	NA	683-693	6	854	NA		
060-067	3	313-314	4	520-528	5	694-699	NA	855-857	8		
068-118	2	315-329	5	529	NA	700-701	6	858	NA		
119-123	3	330-332	6	530-532	5	702	NA	859-860	8		
124-127	2	333-342	5	533	NA	703-708	6	861-862	NA		
128	3	343	NA	534-535	5	709	NA	863-864	8		
129	4	344	5	536	NA	710-714	6	865	7		
130-136	3	345	NA	537-551	5	715	NA	866-869	NA		
137-139	2	346-347	5	552	NA	716-717	5	870-875	7		
140-147	3	348	NA	553-561	5	718	6	876	NA		
148-149	2	349-352	5	562	6	719-728	5	877-885	7		
150-154	3	353	NA	563-564	5	729-731	6	886-888	NA		
155	2	354-372	5	565-567	6	732	NA	889-891	8		
156	3	373-374	4	568-569	NA	733-741	6	892	NA		
157-159	2	375	5	570-577	6	742	NA	893-895	8		
160-165	3	376-379	4	578-579	NA	743-768	6	896	NA		
166-212	2	380-384	5	580-587	6	769	7	897-898	8		
213	NA	385	4	588	7	770-778	6	899	NA		
214-227	2	386-399	5	589	NA	779-785	7	900-908	8		
228-241	3	400-418	4	590-595	7	786-787	6	909	NA		
242	4	419	NA	596-599	8	788	7	910-928	8		
243-245	3	420	5	600-609	4	789	6	929	NA		
246-248	4	421-423	4	610-620	5	790-791	7	930-966	8		
249	3	424	5	621	NA	792	6	970-986	8		
250-253	4	425-427	4	622-631	5	793-794	7	987	NA		

FedEx® TRANSIT TIMES

